

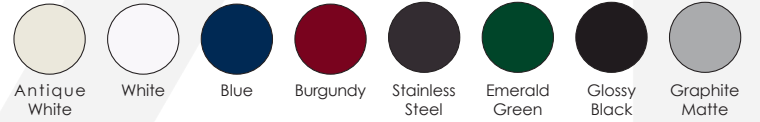
36" GAS RANGE



The Nostalgie immediately states its vocation as a range designed and crafted for the most demanding chef without alienating casual cooks with its user-friendly functions.

Fuel Type..... **Dual Fuel**
 Gas Type..... **Liquid Propane or Natural Gas**

OVEN COLORS



TRIM*

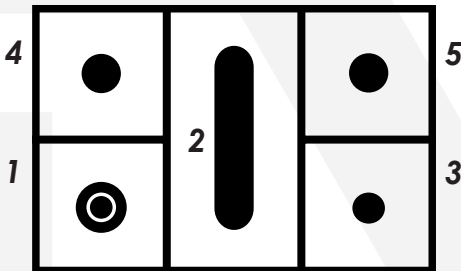


*Trim colors are available for every oven color.

FEATURES

COOKTOP

Cooktop surface.....	Deep Recessed
Number of Burners/Elements.....	5
Gas Heat Configuration.....	Sealed Burners
Burner/ Element Fuel.....	Gas
Grate Type.....	Cast Iron
Cooktop Control Type.....	Knobs
Cooktop Control Location.....	Front
Burner Output No. 1.....	15,500 BTU/ Double Burner
Burner Output No. 2.....	10,500 BTU/ Fish Burner
Burner Output No. 3.....	7,000 BTU/ Small Burner
Burner Output No. 4.....	10,500 BTU/ Large Burner
Burner Output No. 5.....	10,500 BTU/ Large Burner



OVEN

Oven Fuel.....	Gas
Oven Door Type.....	Triple-Layer Glass Door
Oven Type.....	Convection
Oven Cleaning Type.....	Self-Clean Mode*
Oven Control Type.....	Knobs
Oven Control Place.....	Front
Oven Light(s).....	2
Oven Light Type.....	LED
Number of Rack Placements.....	5
Soft Close Door.....	No
Display Ttype.....	LED
Broiler.....	Gas
Child Safety Lock.....	No
Timer.....	Yes
Built-in Thermostat.....	Yes

*Protective Panel is required (sold separately)

INCLUDED

Range Hood.....	No	Oven Racks.....	2
Power Cord.....	Yes	Oven Trays.....	1
Grate.....	Yes	Rotisserie.....	1
Griddle.....	Yes	Gas Regulator.....	1
Legs.....	4	Manual.....	Yes
Backsplash.....	1		
Conversion Kit.....	Yes		

POWER

Voltage.....	120 v
Amperage.....	15 amps
Hertz.....	60 (Hz) Power
Power Cord Length.....	66 7/16" / 169 cm
Power Cord Type.....	Plug In

RECOMMENDED ACCESSORIES

Toe Kick.....	APZ90140*	Chopping Board.....	A48401
Solid Leg (Chrome).....	G4221208	Steam Cooker Basins.....	G00202
(Brass).....	G4221216	BBQ Grill.....	G41903
(Bronze).....	G4221218	Bain-Marie.....	G00201
Wok Ring.....	A09234		

MISCELLANEOUS

Warranty Length.....	2 years
Warranty Type.....	Limited
Actual Weight.....	270 lbs. / 122 kg
Product Material.....	Stainless Steel

Available in all colors.

DIMENSIONS

- RANGE**
- Range Width..... **35 7/16" / 90 cm**
 - Range Height without legs..... **27 15/16" / 71 cm**
 - Range Min. Height with legs..... **34 1/16" / 86.5 cm**
 - Range Max Height with legs..... **38" / 96.5 cm**
 - Range Depth..... **21 10/16" / 55 cm**
 - Backsplash Width..... **35 7/16" / 90 cm**
 - Backsplash Height..... **5 14/16" / 15 cm**
 - Backsplash Depth..... **0.6" / 1.7 cm**
 - Backsplash Lip..... **3/16" / 0.5 cm**
 - Top Handle Length..... **34 10/16" / 88 cm**
 - Oven Handle Length..... **28 15/16" / 73.5 cm**
 - Top Oven Handle Depth over Range..... **2 3/16" / 5.5 cm**
 - Oven Handle Depth over Range..... **2 3/16" / 5.5 cm**
 - Power from bottom..... **9 1/16" / 23 cm**
 - Power from left side..... **5 2/16" / 13 cm**
 - Gas connector from top..... **3 9/16" / 9 cm**
 - Gas connector from right side..... **7 1/16" / 18 cm**

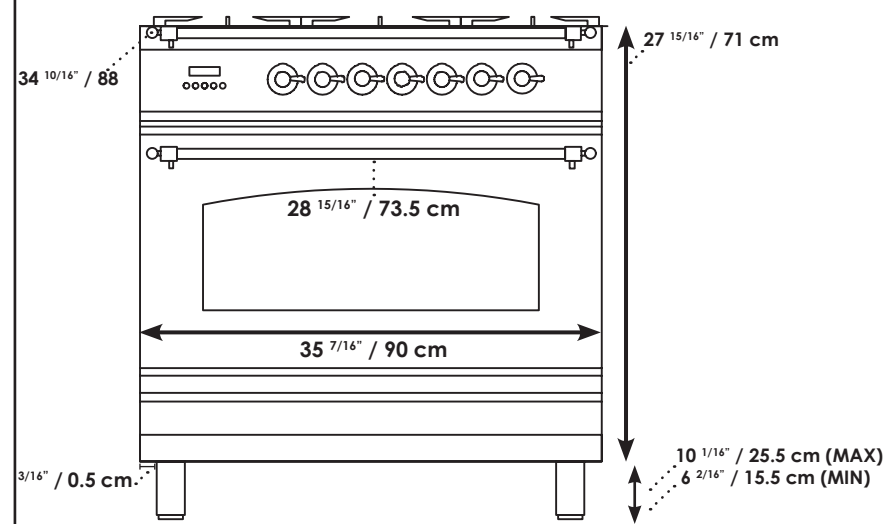
- COOKTOP**
- Cooktop Width..... **39 7/16" / 90 cm**
 - Cooktop Depth..... **23 10/16" / 60 cm**
 - Cooktop Height..... **1 6/16" / 4 cm**
 - Cooktop Front Lip Depth over Range..... **9/16" / 1.5 cm**
 - Cooktop Front Lip Depth over Range..... **1 1/6" / 3.5 cm**

- OVEN**
- Oven Capacity..... **3.55 cu.ft**
 - Oven Depth with Door Open 90°..... **15 6/16" / 39 cm**
 - Oven Interior Width (Actual)..... **25 3/16" / 64 cm**
 - Oven Interior Height (Actual)..... **10 7/16" / 26.5 cm**
 - Oven Interior Depth (Actual)..... **16 2/16" / 41 cm**
 - Oven Interior Width (Usable)..... **23 7/16" / 59.5 cm**
 - Oven Interior Height (Usable)..... **10 7/16" / 26.5 cm**
 - Oven Interior Depth (Usable)..... **16 2/16" / 41 cm**
 - Height between Rack Plates..... **1 9/16" / 4 cm**
 - Height b/w lowest and highest rack..... **7 14/16" / 20 cm**

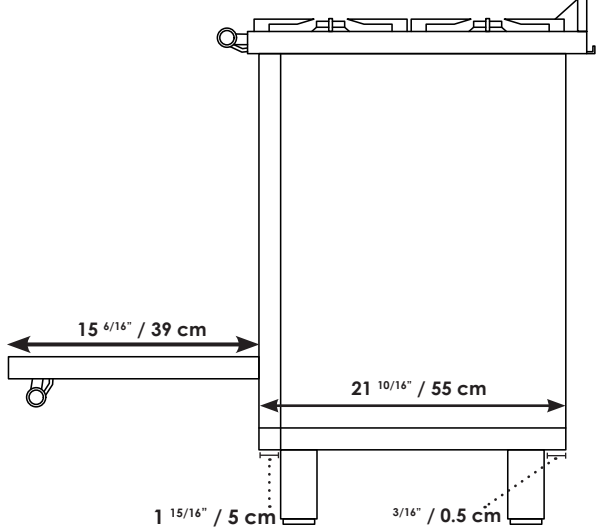
- STORAGE**
- Type..... **Storage**
 - Width..... **25 13/16" / 65.5 cm**
 - Height..... **3 2/16" / 8 cm**
 - Depth..... **16 2/16" / 41 cm**

- LEGS**
- Range Leg Type..... **Cylinder**
 - Range Leg Number..... **4**
 - Adjustable Range Legs..... **Yes**
 - Levelable Range Legs..... **Yes**
 - Range Leg Min. Height..... **6 2/16" / 15.5 cm**
 - Range Leg Max. Height..... **10 1/16" 25.5 cm**
 - Space Between Leg and Range (Side)..... **3/16" / 0.5 cm**
 - Space Between Leg and Range (Front)..... **1 15/16" / 5 cm**
 - Space Between Leg and Range (Back)..... **3/16" / 0.5 cm**

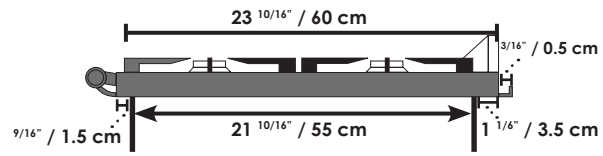
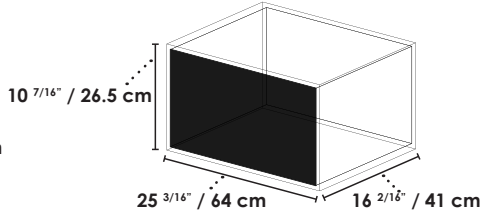
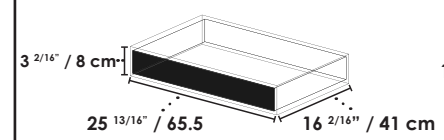
RANGE FRONT



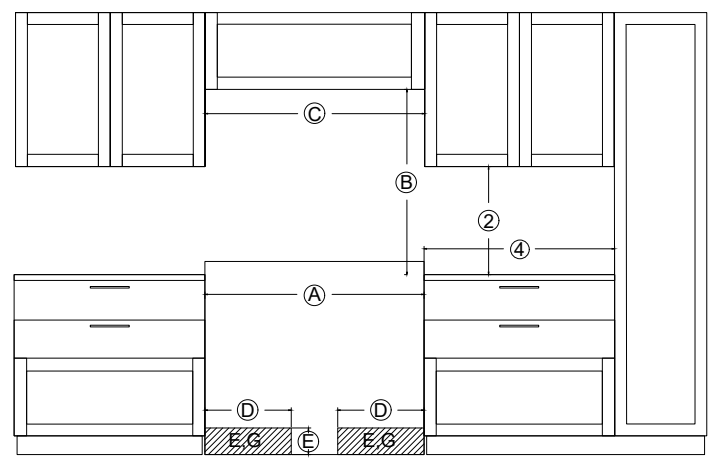
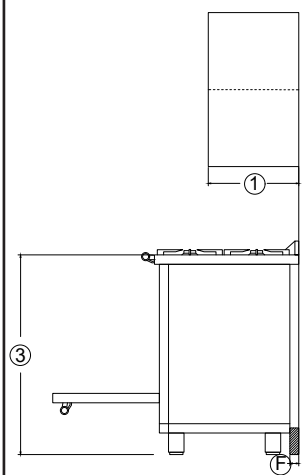
RANGE SIDE



Oven Capacity: 3.55 cu. ft.*



*Usable space differs from Actual space due to the rack placements and rotisserie.
*Oven Capacity's cubic feet is manufacturer's measurement prior to installation of broiler, oven racks, and convection fan.



THE SHADED AREA REPRESENTS THE INSTALLATION AREA FOR THE CONNECTIONS;
E : ELECTRIC CONNECTION
G : GAS

	DIMENSIONS	DESCRIPTION
1	13" (330 mm)	Maximum depth of top cabinet
2	18" (547 mm)	Minimum distance to bottom edge of top cabinet
3	35 1/2"-37" (901-940 mm)	Distance from the floor to cooktop surface
4	12"	Minimum distance from cooktop surface
A	35 7/16" (90 cm)	Width of cabinet opening
B	30" (762mm)	Minimum distance between the top of the cooking area and bottom of an unprotected combustible surface
C	35 7/16" (90 cm)	Width of the hood area
D	Approx. 10 13/16" (274 mm)	Maximum connection with right and left
E	Approx. 4 10" (115 mm)	Maximum connection height
F	Approx. 2 3/16" (72 mm)	Maximum connection depth