

30" DUAL FUEL RANGE



The Nostalgie immediately states its vocation as a range designed and crafted for the most demanding chef without alienating casual cooks with it's user-friendly functions.

Fuel Type..... **Dual Fuel**
 Gas Type..... **Liquid Propane or Natural Gas**

OVEN COLORS



TRIM*

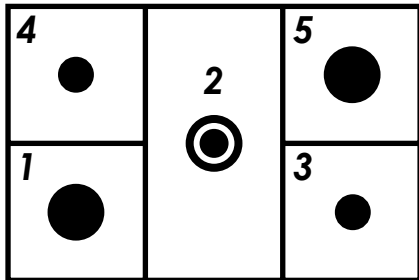


*Trim colors are available for every oven color.

FEATURES

Cooktop

Cooktop Surface.....	Deep Recessed
Number of Burners/Elements.....	5
Gas Heat Configuration.....	Sealed Burners
Burner/ Element Fuel.....	Gas
Grate Type.....	Cast-Iron
Cooktop Control Type.....	Knobs
Cooktop Control Location.....	Front
Burner Output No. 1.....	10,500 BTU / Large Burner
Burner Output No. 2.....	15,500 BTU/ Dual Burner
Burner Output No. 3.....	7,000 BTU / Small Burner
Burner Output No. 4.....	7,000 BTU / Small Burner
Burner Output No. 5.....	10,500 BTU / Large Burner



Oven

Oven Fuel.....	Electric
Oven Door Type.....	Removable Triple Layer Glass Door
Oven Type.....	Convection
Oven Cleaning Type.....	Self-Clean Mode*
Oven Control Type.....	Knobs
Oven Control Place.....	Front
Interior Oven Light(s).....	2
Interior Oven Light Type.....	LED
Number of Rack Holders.....	5
Soft Close Door.....	No
Display Type.....	LED
Broiler Type.....	Electric
Child Safety Lock.....	No
Timer.....	Yes
Built-in Thermostat.....	Yes

*Protective Panel is required (sold separately)

INCLUDED

Range Hood.....	No	Oven Racks.....	2
Power Cord.....	Yes	Oven Trays.....	1
Grate.....	Yes	Rotisserie.....	1
Griddle.....	No	Gas Regulator.....	1
Legs.....	4	Manual.....	Yes
Backsplash.....	1		
Conversion Kit.....	Yes		

POWER

Voltage.....	220 v
Amperage.....	30 amps
Hertz.....	60 (Hz) Power
Cord Length.....	45 1/16" / 116 cm
Power Cord Type.....	Hardwire

RECOMMENDED ACCESSORIES

Toe Kick.....	APZ76140*
Solid Leg (Chrome).....	G4221208
(Brass).....	G4221216
(Bronze).....	G4221218
Wok Ring.....	A09234
Steam Cooker Basins.....	G00202

MISCELLANEOUS

Warranty Length.....	2 years
Warranty Type.....	Limited
Actual Weight.....	209 lbs / 95 kg
Product Material.....	Stainless Steel

Available in all colors.

DIMENSIONS

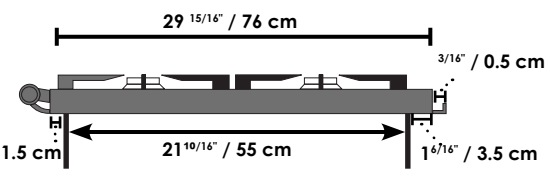
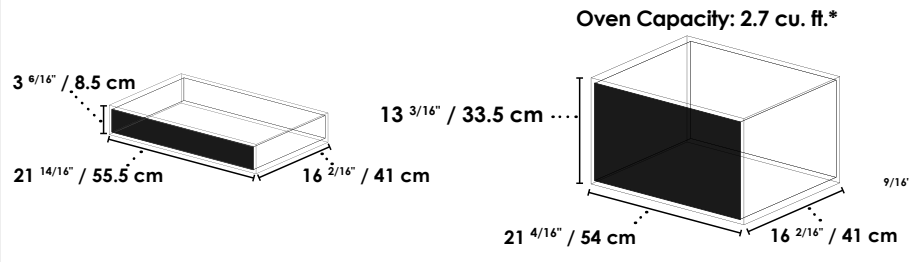
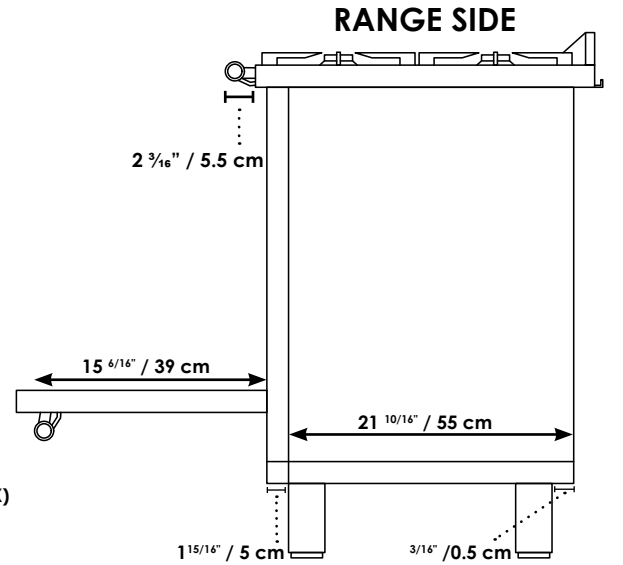
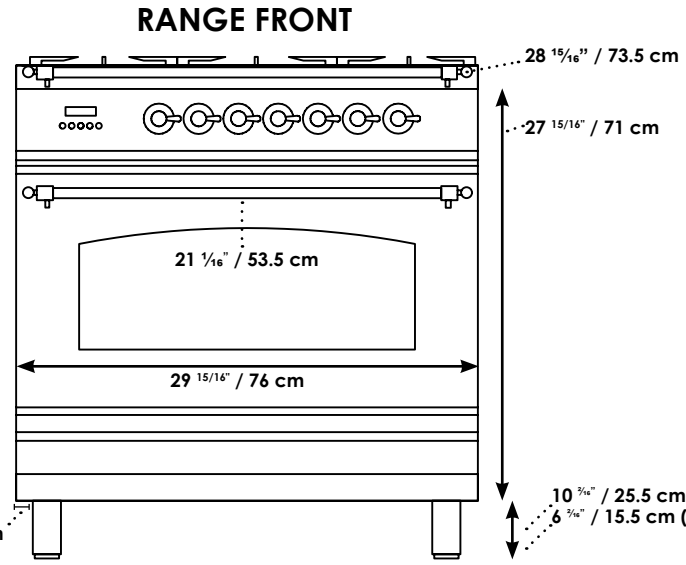
- RANGE**
- Range Width..... **29 15/16" / 76 cm**
 - Range Height without legs..... **27 15/16" / 71 cm**
 - Range Min. Height with legs..... **34 1/16" / 86.5 cm**
 - Range Max Height with legs..... **38" / 96.5 cm**
 - Range Depth..... **21 10/16" / 55 cm**
 - Backsplash Width..... **29 15/16" / 76 cm**
 - Backsplash Height..... **2 6/16" / 6 cm**
 - Backsplash Depth..... **9/16" / 1.5 cm**
 - Backsplash Lip..... **3/16" / 0.5 cm**
 - Top Handle Length..... **28 15/16" / 73.5 cm**
 - Oven Handle Length..... **21 1/16" / 53.5 cm**
 - Top Handle Depth over Range..... **2 3/16" / 5.5 cm**
 - Oven Handle Depth over Range..... **2 3/16" / 5.5 cm**
 - Power from bottom..... **9 7/16" / 24 cm**
 - Power from left side..... **5 14/16" / 15 cm**
 - Gas connector from bottom..... **3 9/16" / 9 cm**
 - Gas connector from right side..... **7 8/16" / 19 cm**

- COOKTOP**
- Cooktop Width..... **29 15/16" / 76 cm**
 - Cooktop Depth..... **23 10/16" / 60 cm**
 - Cooktop Height..... **1 9/16" / 4 cm**
 - Cooktop Front Lip Depth over Range..... **9/16" / 1.5 cm**
 - Cooktop Front Lip Depth over Range..... **1 9/16" / 3.5 cm**

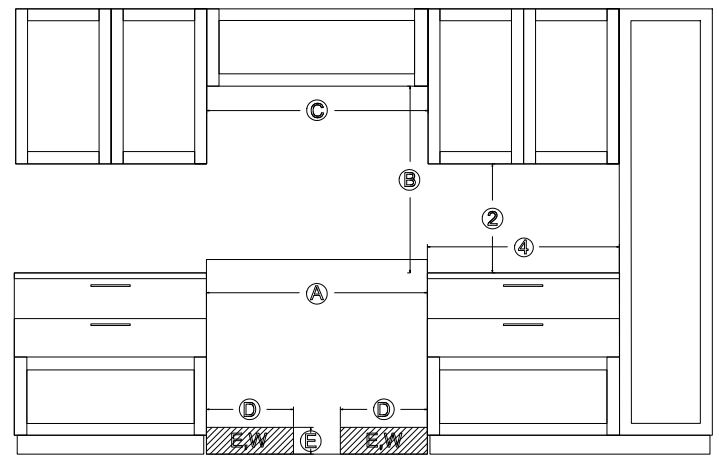
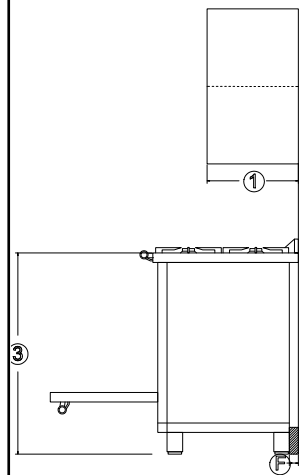
- OVEN**
- Oven Capacity..... **2.7 cu. ft.**
 - Oven Depth with Door Open 90°..... **15 9/16" / 39 cm**
 - Oven Interior Width (Actual)..... **21 4/16" / 54 cm**
 - Oven Interior Height (Actual)..... **13 3/16" / 33.5 cm**
 - Oven Interior Depth (Actual)..... **16 2/16" / 41 cm**
 - Oven Interior Width (Usable)..... **19 8/16" / 49.5 cm**
 - Oven Interior Height (Usable)..... **13 3/16" / 33.5 cm**
 - Oven Interior Depth (Usable)..... **16 2/16" / 41 cm**
 - Height between Rack Plates..... **1 9/16" / 4 cm**
 - Height between lowest & highest rack..... **7 14/16" / 20 cm**

- STORAGE**
- Type..... **Storage**
 - Width..... **21 14/16" / 55.5 cm**
 - Height..... **3 9/16" / 8.5 cm**
 - Depth..... **16 2/16" / 41 cm**

- LEGS**
- Range Leg Type..... **Cylinder**
 - Range Leg Number..... **4**
 - Adjustable Range Legs..... **Yes**
 - Levelable Range Legs..... **Yes**
 - Range Leg Min. Height..... **6 3/16" / 15.5 cm**
 - Range Leg Max. Height..... **10 1/16" / 25.5 cm**
 - Space between Leg & Range (Side)..... **3/16" / 0.5 cm**
 - Space between Leg & Range (Front)..... **1 19/16" / 5 cm**
 - Space between Leg & Range (Back)..... **3/16" / 0.5 cm**



*Usable space differs from Actual space due to the rack placements and rotisserie.
*Oven Capacity's cubic feet is manufacturer's measurement prior to installation of broiler, oven racks, and convection fan.



THE SHADED AREA REPRESENTS THE INSTALLATION AREA FOR THE CONNECTIONS
E ; ELECTRIC CONNECTION
W ; WATER CONNECTION

	DIMENSIONS	DESCRIPTION
1	13" (330 mm)	Maximum depth of top cabinet
2	18" (547 mm)	Minimum distance to bottom edge of top cabinet
3	35 1/2"-37" (901-940 mm)	Distance from the floor to cooktop surface
4	12"	Minimum distance from cooktop surface
A	29 15/16" (76 cm)	Width of cabinet opening
B	30" (762mm)	Minimum distance between the top of the cooking area and bottom of an unprotected combustible surface
C	29 15/16" (76 cm)	Width of the hood area
D	Approx. 10 13/16" (274mm)	Maximum connection with right and left
E	Approx. 4 15" (115mm)	Maximum connection height
F	Approx. 2 13/16" (72mm)	Maximum connection depth