

24" GAS RANGE



The Nostalgie immediately states its vocation as a range designed and crafted for the most demanding chef without alienating casual cooks with its user-friendly functions.

Fuel Type..... **Gas**
 Gas Type..... **Liquid Propane or Natural Gas**

OVEN COLORS



TRIM*

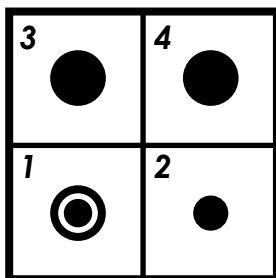


**Trim colors are available for every oven color.*

FEATURES

Cooktop

Cooktop Surface..... Deep Recessed
 Number of Burners/Elements..... 4
 Gas Heat Configuration..... Sealed Burners
 Burner/ Element Fuel..... Gas
 Grate Type..... Cast Iron
 Cooktop Control Type..... Knobs
 Cooktop Control Location..... Front
 Burner Output No. 1..... 15,500 BTU / Dual Burner
 Burner Output No. 2..... 7,000 BTU / Small Burner
 Burner Output No. 3..... 10,500 BTU / Large Burner
 Burner Output No. 4..... 10,500 BTU / Large Burner



Oven

Oven Fuel..... Gas
 Oven Door Type..... Triple Layer Glass Door
 Oven Type..... Convection
 Oven Cleaning Type..... *Self-Clean Mode
 Oven Control Type..... Knobs
 Oven Control Place..... Front
 Interior Oven Light(s)..... 2
 Interior Oven Light Type..... N/A
 Number of Rack Placement..... 5
 Soft Close Door..... No
 Display Type..... LED
 Broiler Type..... Gas
 Child Safety Lock..... No
 Timer..... Yes
 Built-in Thermostat..... Yes

**Protective Panel is required (sold separately)*

INCLUDED

Range Hood..... No	Oven Racks..... 2
Power Cord..... Yes	Oven Trays..... 2
Grate..... Yes	Rofisserie..... 0
Griddle..... No	Gas Regulator..... 1
Legs..... 4	Manual..... Yes
Backsplash..... 1	
Conversion Kit..... Yes	

POWER

Voltage..... 120 v
 Amperage..... 15 amps
 Hertz..... 60 (Hz)
 Power Cord Length..... 66 9/16" / 169 cm
 Power Cord Type..... Plug in

RECOMMENDED ACCESSORIES

Toe Kick..... APZ60140*	Wok Ring..... A09234
Solid Leg (Chrome)..... G4221208	Steam Cooker Basins..... G00202
(Brass)..... G4221216	Pizza Plate..... A41800
(Bronze)..... G4221218	

MISCELLANEOUS

Warranty Length..... 2 years
 Warranty Type..... Limited
 Actual Weight..... 187 lbs / 85 kg
 Product Material..... Stainless Steel

Available in all colors.

DIMENSIONS

RANGE

Range Width.....	23 10/16" / 60 cm
Range Height without legs.....	27 15/16" / 71 cm
Range Min. Height with legs.....	34 1/16" / 86.5 cm
Range Max Height with legs.....	38" / 96.5 cm
Range Depth.....	21 10/16" / 55 cm
Backsplash Width.....	23 10/16" / 60 cm
Backsplash Height.....	5 14/16" / 15 cm
Backsplash Depth.....	11/16" / 1.7 cm
Backsplash Lip.....	11/16" / 1.7 cm
Top Handle Length.....	20 14/16" / 53 cm
Main Oven Handle Length.....	20 14/16" / 53 cm
Top Handle Depth over Range.....	2 3/16" / 5.5 cm
Oven Handle Depth over Range.....	2 3/16" / 5.5 cm
Power from bottom.....	9 1/16" / 23 cm
Power from left side.....	6 11/16" / 17 cm
Gas connector from top.....	3 4/16" / 9 cm
Gas connector from right side.....	8 11/16" / 22 cm

COOKTOP

Cooktop Width.....	23 10/16" / 60 cm
Cooktop Depth.....	23 10/16" / 60 cm
Cooktop Height.....	1 9/16" / 4 cm
Cooktop Front Lip Depth over Range.....	9/16" / 1.5 cm
Cooktop Back Lip Depth over Range.....	1 6/16" / 3.5 cm

OVEN

Oven Capacity.....	2.44 cu. ft.
Oven Depth with Door Open 90°.....	15 6/16" / 39 cm
Oven Interior Width (Actual).....	17 5/16" / 44 cm
Oven Interior Height (Actual).....	10 7/16" / 26.5 cm
Oven Interior Depth (Actual).....	17 5/16" / 44 cm
Oven Interior Width (Usable).....	15 9/16" / 39.5 cm
Oven Interior Height (Usable).....	10 7/16" / 26.5 cm
Oven Interior Depth (Usable).....	17 5/16" / 44 cm
Height between Rack Plates.....	1 9/16" / 4 cm
Height between lowest & highest rack.....	5 14/16" / 15 cm

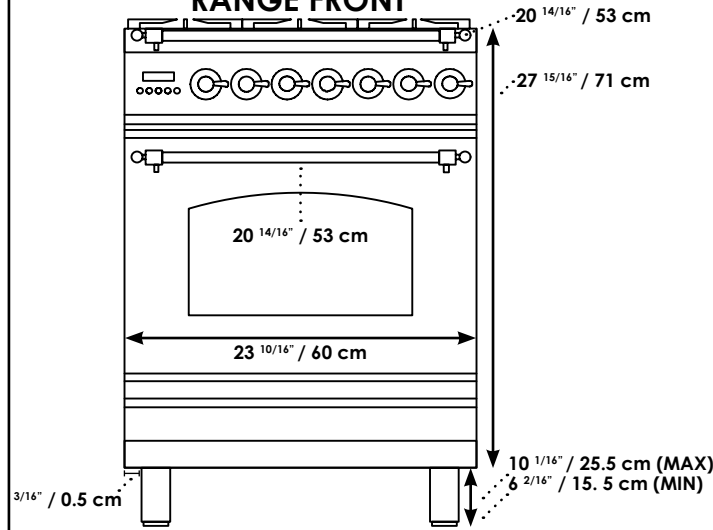
STORAGE

Type.....	Storage
Width.....	17 15/16" / 45.5 cm
Height.....	1 15/16" / 5 cm
Depth.....	16 2/16" / 41 cm

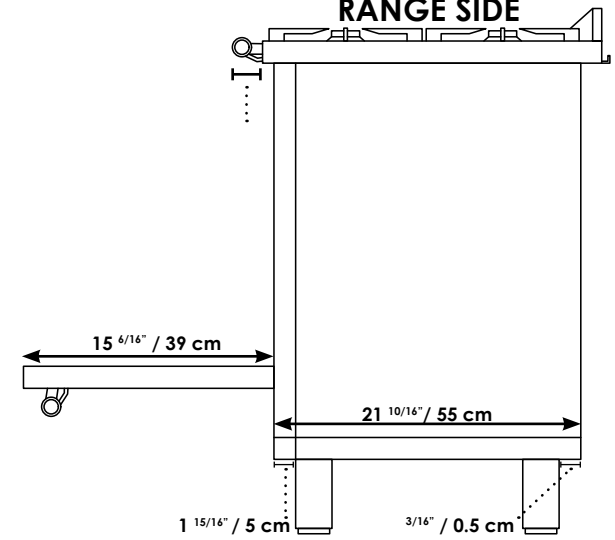
LEGS

Range Leg Type.....	Cylinder
Range Leg Number.....	4
Adjustable Range Legs.....	Yes
Levelable Range Legs.....	Yes
Range Leg Min. Height.....	6 2/16" / 15.5 cm
Range Leg Max. Height.....	10 1/16" / 25.5 cm
Space Between Leg & Range (Side).....	3/16" / 0.5 cm
Space Between Leg & Range (Front).....	1 15/16" / 5 cm
Space Between Leg & Range (Back).....	3/16" / 0.5 cm

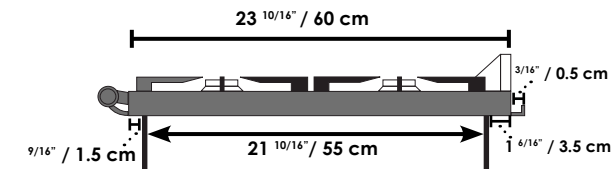
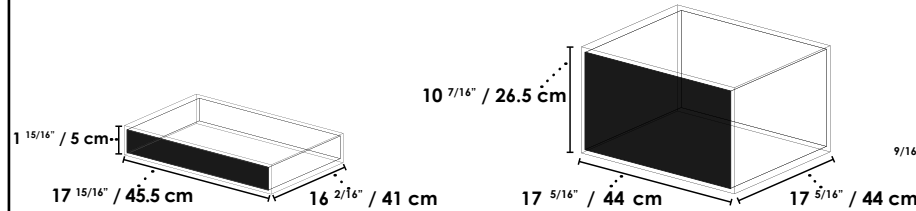
RANGE FRONT



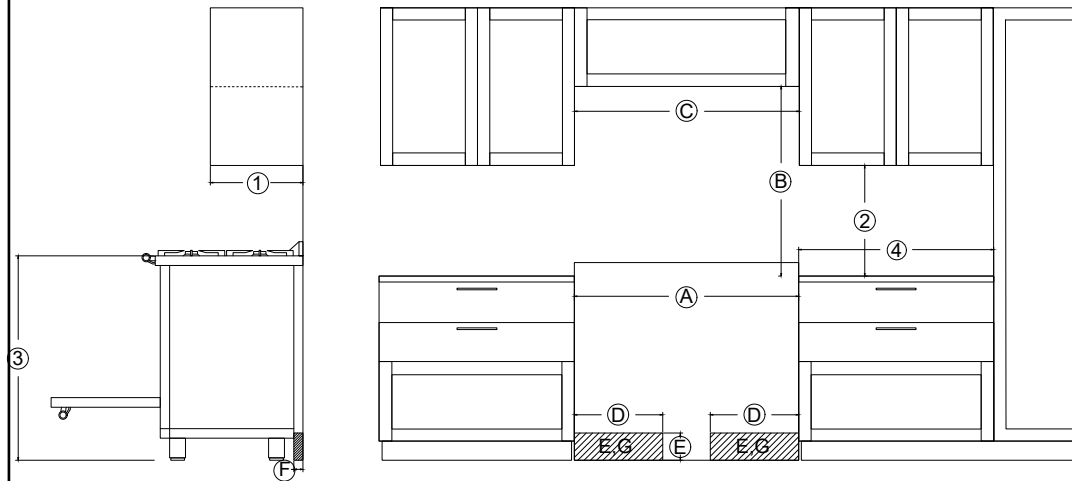
RANGE SIDE



Oven Capacity: 2.44 cu. ft.*



*Usable space differs from Actual space due to the rack placements and rotisserie.
*Oven Capacity's cubic feet is manufacturer's measurement prior to installation of broiler, oven racks, and convection fan.



THE SHADED AREA REPRESENTS THE INSTALLATION AREA FOR THE CONNECTIONS

E ; ELECTRIC CONNECTION
G ; GAS

Position	Dimensions	Description
1	13" (330 mm)	Maximum depth of top cabinet
2	18" (547 mm)	Minimum distance to bottom edge of top cabinet
3	35 1/2"-37" (901-940 mm)	Distance from the floor to cooktop surface
4	12"	Minimum distance from cooktop surface
A	23 10/16" (60 cm)	Width of cabinet opening
B	30" (762mm)	Minimum distance between the top of the cooking area and bottom of an unprotected combustible surface
C	23 10/16" (60 cm)	Width of the hood area
D	Approx. 10 ^{13/16} " (274mm)	Maximum connection with right and left
E	Approx. 4 1/8" (115mm)	Maximum connection height
F	Approx. 2 ^{13/16} " (72mm)	Maximum connection depth