

24" DUAL FUEL RANGE



The Nostalgie immediately states its vocation as a range designed and crafted for the most demanding chef without alienating casual cooks with its user-friendly functions.

Fuel Type..... **Dual Fuel**
 Gas Type..... **Liquid Propane or Natural Gas**

OVEN COLORS



TRIM*

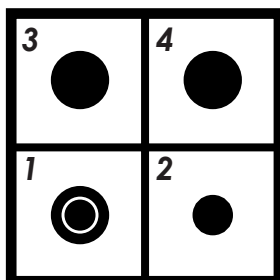


**Trim colors are available for every oven color.*

FEATURES

Cooktop

Cooktop Surface.....	Deep Recessed
Number of Burners/Elements.....	4
Gas Heat Configuration.....	Sealed Burners
Burner/ Element Fuel.....	Gas
Grate Type.....	Cast Iron
Cooktop Control Type.....	Knobs
Cooktop Control Location.....	Front
Burner Output No. 1.....	15,500 BTU / Dual Burner
Burner Output No. 2.....	7,000 BTU / Small Burner
Burner Output No. 3.....	10,500 BTU / Large Burner
Burner Output No. 4.....	10,500 BTU / Large Burner



Oven

Oven Fuel.....	Electric
Oven Door Type.....	Triple Layer Glass Door
Oven Type.....	Convection
Oven Cleaning Type.....	Self-Clean Mode*
Oven Control Type.....	Knobs
Oven Control Place.....	Front
Interior Oven Light(s).....	2
Interior Oven Light Type.....	LED
Number of Rack Placement.....	5
Soft Close Door.....	No
Display Type.....	LED
Broiler Type.....	Electric
Child Safety Lock.....	No
Timer.....	Yes
Built-in Thermostat.....	Yes

**Protective Panel is required (sold separately)*

INCLUDED

Range Hood.....	No	Oven Racks.....	2
Power Cord.....	Yes	Oven Trays.....	2
Grate.....	Yes	Rotisserie.....	0
Griddle.....	No	Gas Regulator.....	1
Legs.....	4	Manual.....	Yes
Backsplash.....	1		
Conversion Kit.....	Yes		

POWER

Voltage.....	220 v
Amperage.....	30 amps
Hertz.....	60 (Hz)
Power Cord Length.....	45 11/16" / 116 cm
Power Cord Type.....	Hard wire

RECOMMENDED ACCESSORIES

Toe Kick.....	APZ60140*	Wok Ring.....	A09234
Solid Leg (Chrome).....	G4221208	Steam Cooker Basins.....	G00202
(Brass).....	G4221216	Pizza Plate.....	A41800
(Bronze).....	G4221218		

MISCELLANEOUS

Warranty Length.....	2 years
Warranty Type.....	Limited
Actual Weight.....	187 lbs / 85 kg
Product Material.....	Stainless Steel

Available in all colors.

DIMENSIONS

RANGE

Range Width.....	23 10/16" / 60 cm
Range Height without legs.....	27 15/16" / 71 cm
Range Min. Height with legs.....	34 1/16" / 86.5 cm
Range Max Height with legs.....	38" / 96.5 cm
Range Depth.....	21 10/16" / 55 cm
Backsplash Width.....	23 10/16" / 60 cm
Backsplash Height.....	2 6/16" / 6 cm
Backsplash Depth.....	9/16" / 1.5 cm
Backsplash Lip.....	3/16" / 0.5 cm
Top Handle Length.....	20 14/16" / 53 cm
Main Oven Handle Length.....	20 14/16" / 53 cm
Top Handle Depth over Range.....	2 3/16" / 5.5 cm
Oven Handle Depth over Range.....	2 3/16" / 5.5 cm
Power from bottom.....	9 1/16" / 23 cm
Power from left side.....	6 11/16" / 17 cm
Gas connector from top.....	3 4/16" / 9 cm
Gas connector from right side.....	8 11/16" / 22 cm

COOKTOP

Cooktop Width.....	23 10/16" / 60 cm
Cooktop Depth.....	23 10/16" / 60 cm
Cooktop Height.....	1 9/16" / 4 cm
Cooktop Front Lip Depth over Range.....	9/16" / 1.5 cm
Cooktop Back Lip Depth over Range.....	1 6/16" / 3.5 cm

OVEN

Oven Capacity.....	2.44 cu. ft.
Oven Depth with Door Open 90°.....	15 6/16" / 39 cm
Oven Interior Width (Actual).....	17 5/16" / 44 cm
Oven Interior Height (Actual).....	13 3/16" / 33.5 cm
Oven Interior Depth (Actual).....	17 5/16" / 44 cm
Oven Interior Width (Usable).....	15 9/16" / 39.5 cm
Oven Interior Height (Usable).....	13 3/16" / 33.5 cm
Oven Interior Depth (Usable).....	17 5/16" / 44 cm
Height between Rack Plates.....	1 9/16" / 4 cm
Height between lowest & highest rack.....	5 14/16" / 15 cm

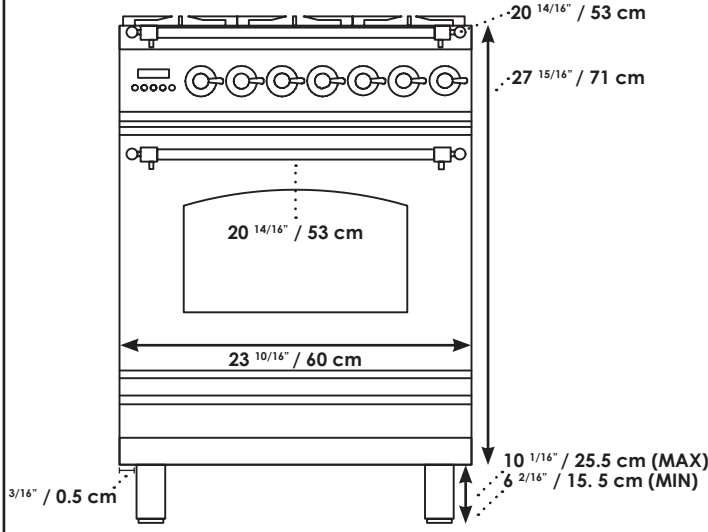
STORAGE

Type.....	Storage
Width.....	17 15/16" / 45.5 cm
Height.....	1 15/16" / 5 cm
Depth.....	16 2/16" / 41 cm

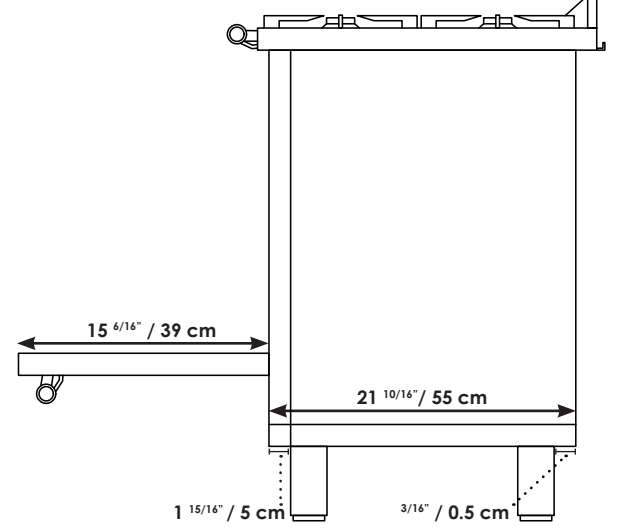
LEGS

Range Leg Type.....	Cylinder
Range Leg Number.....	4
Adjustable Range Legs.....	Yes
Levelable Range Legs.....	Yes
Range Leg Min. Height.....	6 2/16" / 15.5 cm
Range Leg Max. Height.....	10 1/16" / 25.5 cm
Space Between Leg & Range (Side).....	3/16" / 0.5 cm
Space Between Leg & Range (Front).....	1 15/16" / 5 cm
Space Between Leg & Range (Back).....	3/16" / 0.5 cm

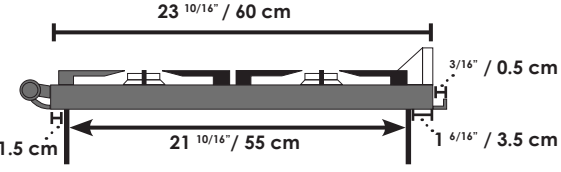
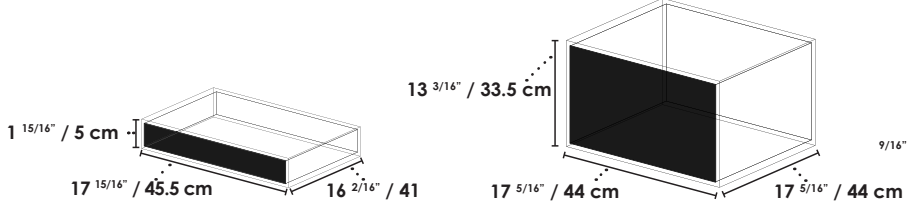
RANGE FRONT



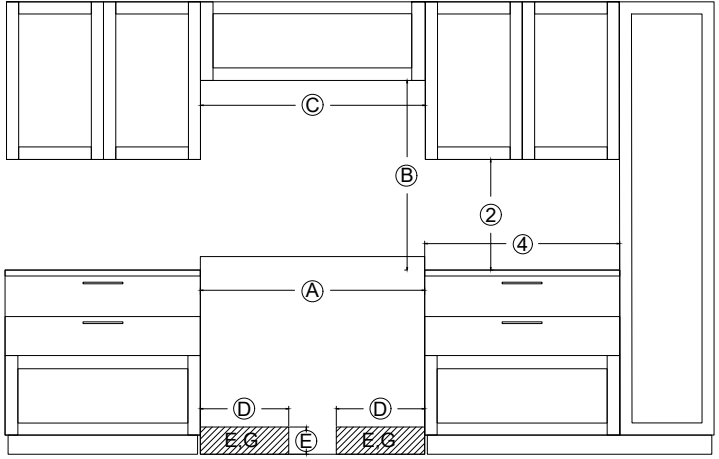
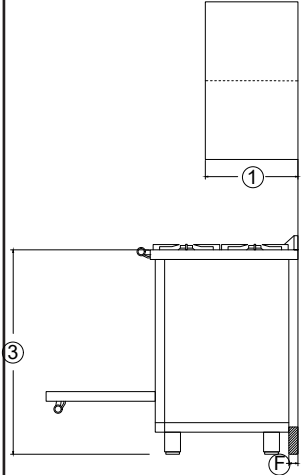
RANGE SIDE



Oven Capacity: 2.44 cu.



*Usable space differs from Actual space due to the rack placements and rotisserie.
*Oven Capacity's cubic feet is manufacturer's measurement prior to installation of broiler, oven racks, and convection fan.



THE SHADED AREA REPRESENTS THE INSTALLATION AREA FOR THE CONNECTIONS
E ; ELECTRIC CONNECTION
G ; GAS

Position	Dimensions	Description
1	13" (330 mm)	Maximum depth of top cabinet
2	18" (547 mm)	Minimum distance to bottom edge of top cabinet
3	35 1/2"-37" (901-940 mm)	Distance from the floor to cooktop surface
4	12"	Minimum distance from cooktop surface
A	23 10/16" (60 cm)	Width of cabinet opening
B	30" (762mm)	Minimum distance between the top of the cooking area and bottom of an unprotected combustible surface
C	23 10/16" (60 cm)	Width of the hood area
D	Approx. 10 13/16" (274mm)	Maximum connection with right and left
E	Approx. 4 1/8" (115mm)	Maximum connection height
F	Approx. 2 13/16" (72mm)	Maximum connection depth