

36" DUAL FUEL RANGE



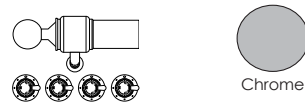
The Professional Plus series is directly inspired by the kitchens of the world's greatest chefs, borrowing materials used in their set-ups. Uncompromised in its design, it's built for the most demanding and skilled chef.

Fuel Type..... **Dual Fuel**
 Gas Type..... **Liquid Propane or Natural Gas**

OVEN COLORS



TRIM*

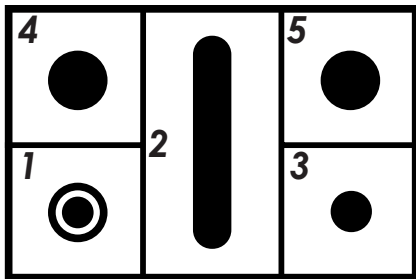


*Trim colors are available for every oven color.

FEATURES

Cooktop

Cooktop Surface.....	Deep Recessed
Number of Burners/Elements.....	5
Gas Heat Configuration.....	Sealed Burners
Burner/ Element Fuel.....	Gas
Grate Type.....	Cast-Iron
Cooktop Control Type.....	Knobs
Cooktop Control Location.....	Front
Burner Output No. 1.....	15,500 BTU / Dual Burner
Burner Output No. 2.....	10,500 BTU/ Fish Burner
Burner Output No. 3.....	7,000 BTU / Small Burner
Burner Output No. 4.....	10,500 BTU / Large Burner
Burner Output No. 5.....	10,500 BTU / Large Burner



Oven

Oven Fuel.....	Dual Fuel
Oven Door Type.....	Removable Triple Layer Glass Door
Oven Type.....	Convection
Oven Cleaning Type.....	Self-Clean Mode*
Oven Control Type.....	Knobs
Oven Control Place.....	Front
Interior Oven Light(s).....	2
Interior Oven Light Type.....	LED
Number of Rack Holders.....	5
Soft Close Door.....	No
Display Type.....	LED
Broiler Type.....	Gas
Child Safety Lock.....	No
Timer.....	Yes
Built-in Thermostat.....	Yes

*Protective Panel is required (sold separately)

INCLUDED

Range Hood.....	No	Oven Racks.....	2
Power Cord.....	Yes	Oven Trays.....	1
Grate.....	Yes	Rofisserie.....	1
Griddle.....	Yes	Gas Regulator.....	1
Legs.....	4	Manual.....	Yes
Backsplash.....	1		
Conversion Kit.....	Yes		

POWER

Voltage.....	220 v
Amperage.....	30 amps
Hertz.....	60 (Hz)Power
Cord Length.....	45 11/16" / 116 cm
Power Cord Type.....	Hardwire

RECOMMENDED ACCESSORIES

Toe Kick	APZ90140*
Wok Ring.....	A09234
Steam Cooker Basins.....	G00202

MISCELLANEOUS

Warranty Length.....	2 years
Warranty Type.....	Limited
Actual Weight.....	270 lbs / 122 kg
Product Material.....	Stainless Steel

*Available in all colors.

DIMENSIONS

RANGE

Range Width.....	35 7/16" / 90 cm
Range Height without legs.....	27 15/16" / 71 cm
Range Min. Height with legs.....	34 1/16" / 86.5 cm
Range Max Height with legs.....	38" / 96.5 cm
Range Depth.....	21 10/16" / 55 cm
Backsplash Width.....	35 7/16" / 90 cm
Backsplash Height.....	2 9/16" / 6 cm
Backsplash Depth.....	9/16" / 1.5 cm
Backsplash Lip.....	3/16" / 0.5 cm
Top Handle Length.....	34 10/16" / 88 cm
Oven Handle Length.....	28 15/16" / 73.5 cm
Top Handle Depth over Range.....	2 9/16" / 6 cm
Oven Handle Depth over Range.....	2 9/16" / 6 cm
Power from bottom.....	9 1/16" / 23 cm
Power from left side.....	5 3/16" / 13 cm
Gas connector from bottom.....	3 3/16" / 9 cm
Gas connector from right side.....	7 1/16" / 18 cm

COOKTOP

Cooktop Width.....	35 7/16" / 90 cm
Cooktop Depth.....	23 10/16" / 60 cm
Cooktop Height.....	1 9/16" / 4 cm
Cooktop Front Lip Depth over Range.....	9/16" / 1.5 cm
Cooktop Front Lip Depth over Range.....	1 6/16" / 3.5 cm

OVEN

Oven Capacity.....	3.5 cu. ft.
Oven Depth with Door Open 90°.....	15 9/16" / 39 cm
Oven Interior Width (Actual).....	25 3/16" / 64 cm
Oven Interior Height (Actual).....	13 3/16" / 33.5 cm
Oven Interior Depth (Actual).....	16 3/16" / 41 cm
Oven Interior Width (Usable).....	23 7/16" / 59.5 cm
Oven Interior Height (Usable).....	13 3/16" / 33.5 cm
Oven Interior Depth (Usable).....	16 2/16" / 41 cm
Height between Rack Plates.....	1 1/16" / 4 cm
Height between lowest and highest rack.....	7 1/16" / 20 cm

STORAGE

Type.....	Storage
Width.....	25 13/16" / 65.5 cm
Height.....	3 3/16" / 8 cm
Depth.....	16 2/16" / 41 cm

LEGS

Range Leg Type.....	Cylinder
Range Leg Number.....	4
Adjustable Range Legs.....	Yes
Levelable Range Legs.....	Yes
Range Leg Min. Height.....	6 3/16" / 15.5 cm
Range Leg Max. Height.....	10 1/16" / 25.5 cm
Space between Leg & Range (Side).....	3/16" / 0.5 cm
Space between Leg & Range (Front).....	1 15/16" / 5 cm
Space between Leg & Range (Back).....	3/16" / 0.5 cm

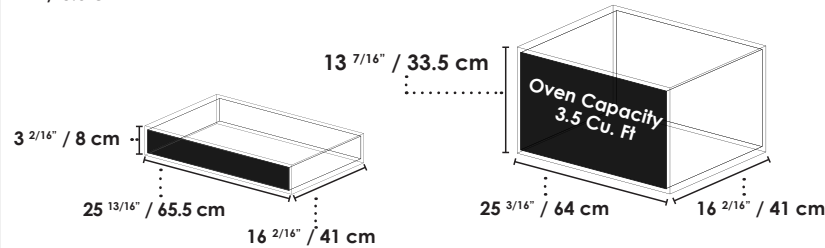
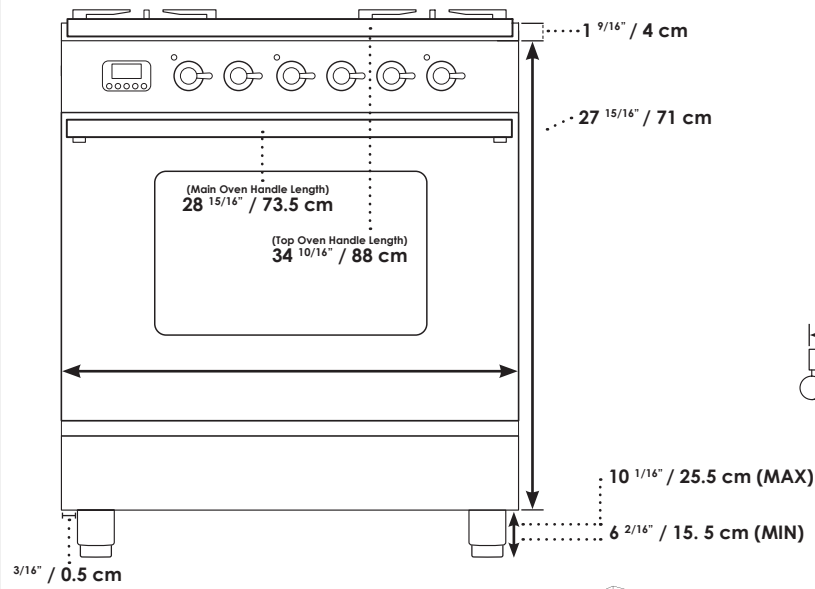
OVERALL DIMENSIONS

Width.....	35 7/16" / 90 cm
Height*.....	39 3/16" / 100.5 cm
Depth**.....	26" / 66 cm

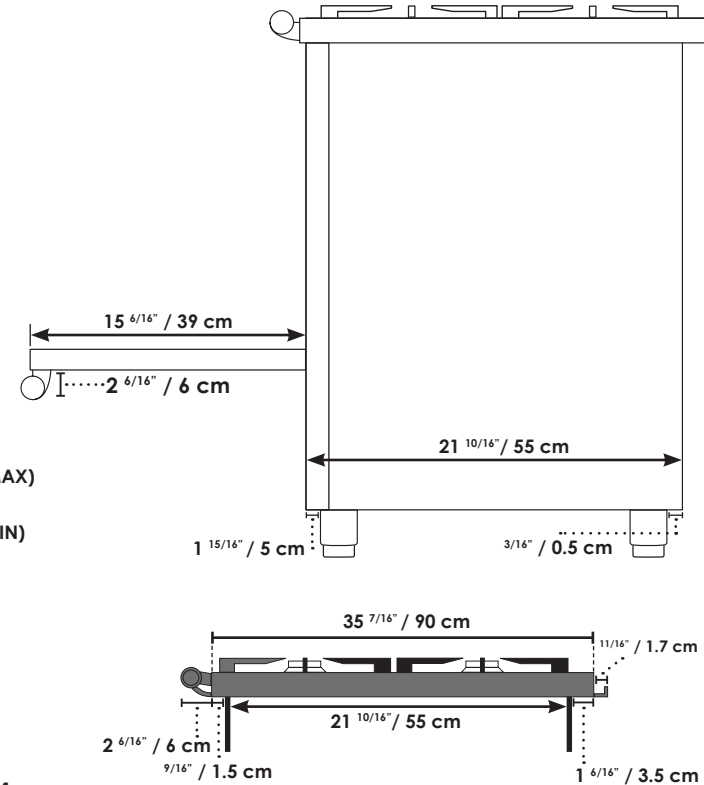
*Including max leg height and cooktop height

**Including handle depth & backlip

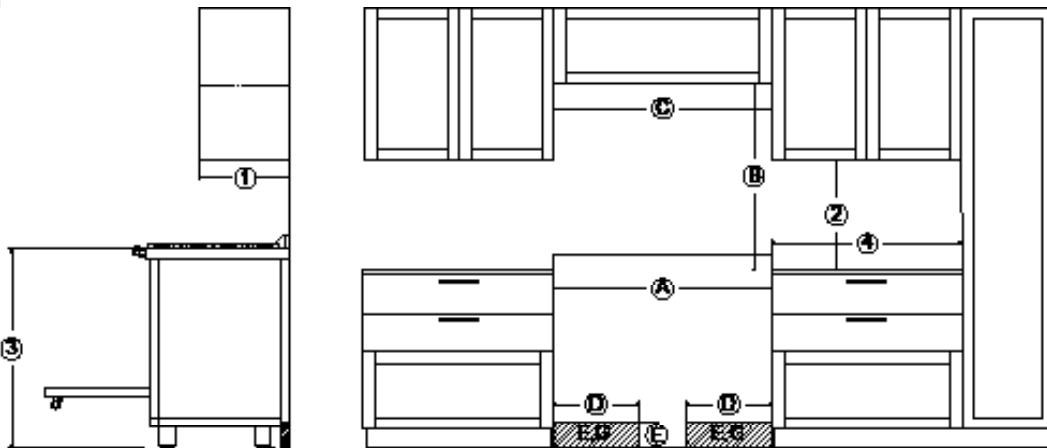
RANGE FRONT



RANGE SIDE



*Usable space differs from Actual space due to the rack placements and rotisserie.
 **Oven Capacity's cubic feet is manufacturer's measurement prior to installation of broiler, oven racks, and convection fan.



THE SHADED AREA REPRESENTS THE INSTALLATION AREA FOR THE CONNECTIONS;
E ; ELECTRIC CONNECTION
G ; GAS

	DIMENSIONS	DESCRIPTION
1	13" (330 mm)	Maximum depth of top cabinet
2	18" (547 mm)	Minimum distance to bottom edge of top cabinet
3	35 1/2"-37" (901-940 mm)	Distance from the floor to cooktop surface
4	12"	Minimum distance from cooktop surface
A	35 7/16" (90 cm)	Width of cabinet opening
B	30" (762mm)	Minimum distance between the top of the cooking area and bottom of an unprotected combustible surface
C	35 7/16" (90 cm)	Width of the hood area
D	Approx. 10 13/16" (274mm)	Maximum connection with right and left