

PROFESSIONAL PLUS /UPDW90FDM 36" DUAL FUEL RANGE



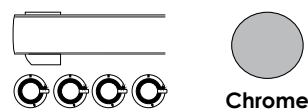
The Professional Plus series is directly inspired by the kitchens of the world's greatest chefs, borrowing materials used in their set-ups. Uncompromised in its design, it's built for the most demanding and skilled chef.

Fuel Type..... **Dual Fuel**
Gas Type..... **Liquid Propane or Natural**

OVEN COLORS



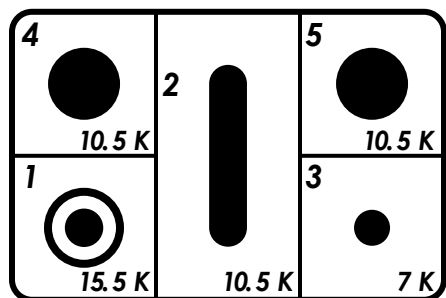
TRIM*



*Trim colors are available for every range color.

COOKTOP

Cooktop Surface..... **Deep Recessed**
Number of Burners/Elements..... **5**
Gas Heat Configuration..... **Sealed Burners**
Burner/ Element Fuel..... **Gas**
Grate Type..... **Cast Iron**
Cooktop Control Type..... **Knobs**
Cooktop Control Location..... **Front**
Burner Output No. 1..... **15,500 BTU / Triple Ring Burner**
Burner Output No. 2..... **10,500 BTU / Oval Burner**
Burner Output No. 3..... **7,000 BTU / Small Burner**
Burner Output No. 4..... **10,500 BTU / Large Burner**
Burner Output No. 5..... **10,500 BTU / Large Burner**



OVEN

Oven Fuel..... **Dual Fuel**
Oven Door Type..... **Triple-Layer Glass Door**
Oven Type..... **Convection**
Oven Cleaning Type..... **Self-Clean Mode***
Oven Control Type..... **Knobs**
Oven Control Place..... **Front**
Interior Oven Light(s)..... **2**
Interior Oven Light Type..... **LED**
Number of Rack Placement..... **5**
Soft Close Door..... **No**
Display Type..... **LED**
Broiler Type..... **Electric**
Child Safety Lock..... **No**
Timer..... **Yes**
Built-in Thermostat..... **Yes**

*Protective Panel is required (sold separately)

INCLUDED

Range Hood..... No	Oven Racks (Main Oven)..... 2
Power Cord..... Yes	Oven Racks (Second Oven)..... 2
Grate..... Yes	Oven Trays (Main Oven)..... 1
Griddle..... Yes	Oven Trays (Second Oven)..... 1
Legs..... 4	Rotisserie (Main Oven)..... 0
Backsplash..... 1	Rotisserie (Second Oven)..... 1
Conversion Kit..... Yes	Gas Regulator..... 1
	Manual..... Yes

POWER

Voltage..... **220 v**
Amperage..... **30 amps**
Hertz..... **60 (Hz)**
Power Cord Length..... **45 11/16" / 116 cm**
Power Cord Type..... **Hard wire**

RECOMMENDED ACCESSORIES

Toe Kick..... APZ90140*	Steam Cooker Basins..... G00202
Wok Ring..... A09234	Pizza Plate..... A41800

*Available in all colors

MISCELLANEOUS

Warranty Length..... **2 years**
Warranty Type..... **Limited**
Actual Weight..... **290 lbs / 132 kg**
Product Material..... **Stainless Steel**

DIMENSIONS

RANGE	
Range Width.....	35 7/16" / 90 cm
Range Height without legs.....	27 15/16" / 71 cm
Range Min. Height with legs.....	34 1/16" / 86.5 cm
Range Max Height with legs.....	38" / 96.5 cm
Range Depth.....	21 10/16" / 55 cm
Backsplash Width.....	35 7/16" / 90 cm
Backsplash Height.....	2 6/16" / 6 cm
Backsplash Depth.....	9/16" / 1.5 cm
Backsplash Lip.....	3/16" / 0.5 cm
Top Handle Length.....	32 5/16" / 82 cm
Main Oven Handle Length.....	20 14/16" / 53 cm
Second Oven Handle Length.....	12 3/16" / 31 cm
Top Oven Handle Depth.....	2 4/16" / 6 cm
Oven Handle Depth.....	2 6/16" / 6 cm
2nd Oven Handle Depth.....	2 6/16" / 6 cm
Power from bottom.....	8 4/16" / 21 cm
Power from left side.....	17 5/16" / 44 cm
Gas connector from bottom.....	2 6/16" / 6 cm
Gas connector from right side.....	7 1/16" / 18 cm

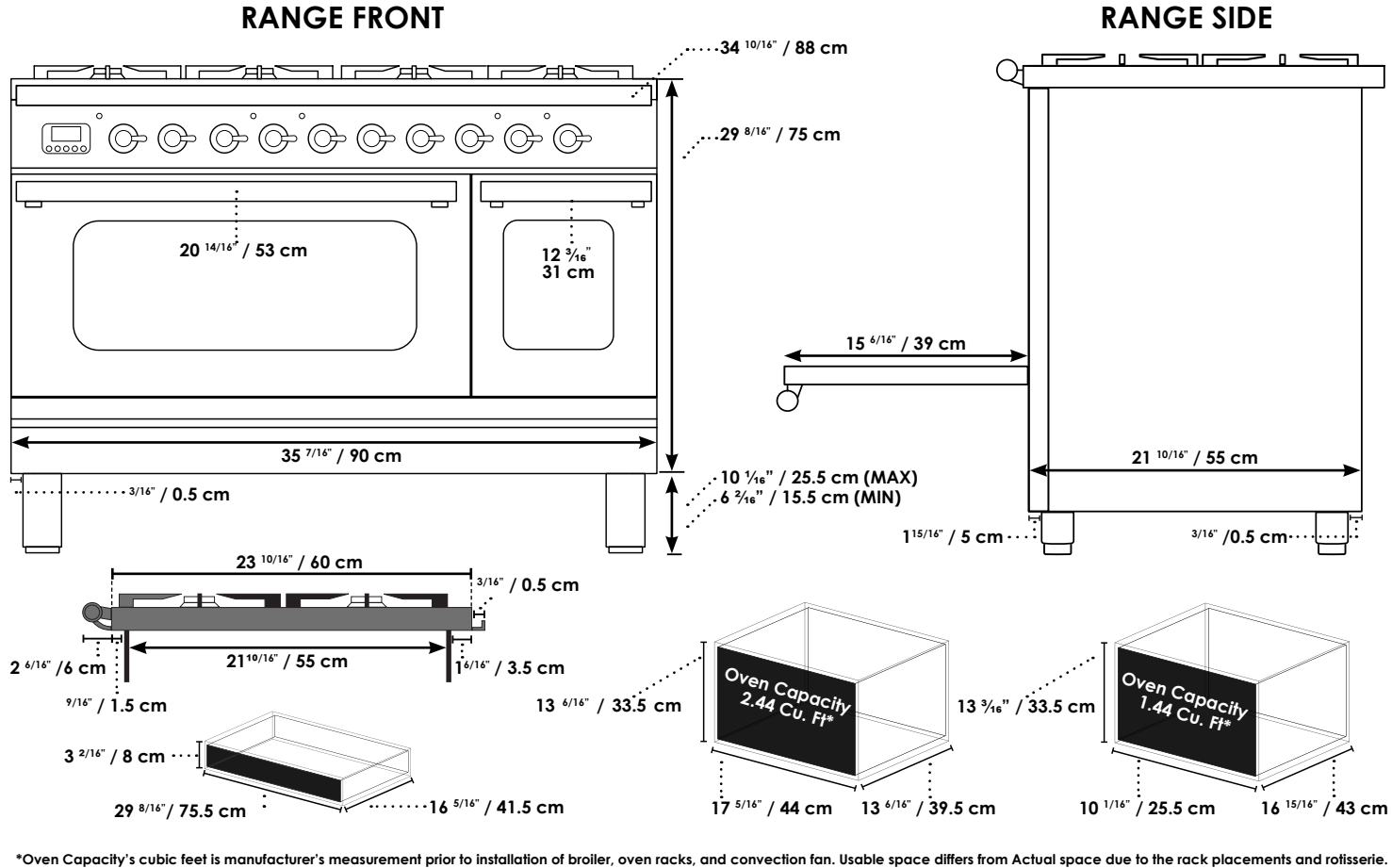
COOKTOP	
Cooktop Width.....	35 7/16" / 90 cm
Cooktop Depth.....	23 10/16" / 60 cm
Cooktop Height.....	1 9/16" / 4 cm
Cooktop Front Lip Depth over Range.....	9/16" / 1.5 cm
Cooktop Front Lip Depth over Range.....	1 1/8" / 3.5 cm

OVEN	
Main Oven Capacity.....	2.44 cu. ft.
Second Oven Capacity.....	1.44 cu. ft.
Oven Depth with Door Open 90°.....	15 6/16" / 39 cm
Oven Interior Width (Actual).....	17 5/16" / 44 cm
Oven Interior Height (Actual).....	13 6/16" / 33.5 cm
Oven Interior Depth (Actual).....	15 9/16" / 39.5 cm
Oven Interior Width (Usable).....	17 4/16" / 44 cm
Oven Interior Height (Usable).....	13 6/16" / 33.5 cm
Oven Interior Depth (Usable).....	15 9/16" / 39.5 cm
Second Oven Interior Width (Actual).....	10 1/16" / 25.5 cm
Second Oven Interior Height (Actual).....	13 6/16" / 33.5 cm
Second Oven Interior Depth (Actual).....	16 15/16" / 43 cm
Second Oven Interior Width (Usable).....	10 1/16" / 25.5 cm
Second Oven Interior Height (Usable).....	13 6/16" / 33.5 cm
Second Oven Interior Depth (Usable).....	16 15/16" / 43 cm
Height between Rack Plates.....	1 9/16" / 4 cm
Height between lowest and highest rack.....	7 14/16" / 20 cm

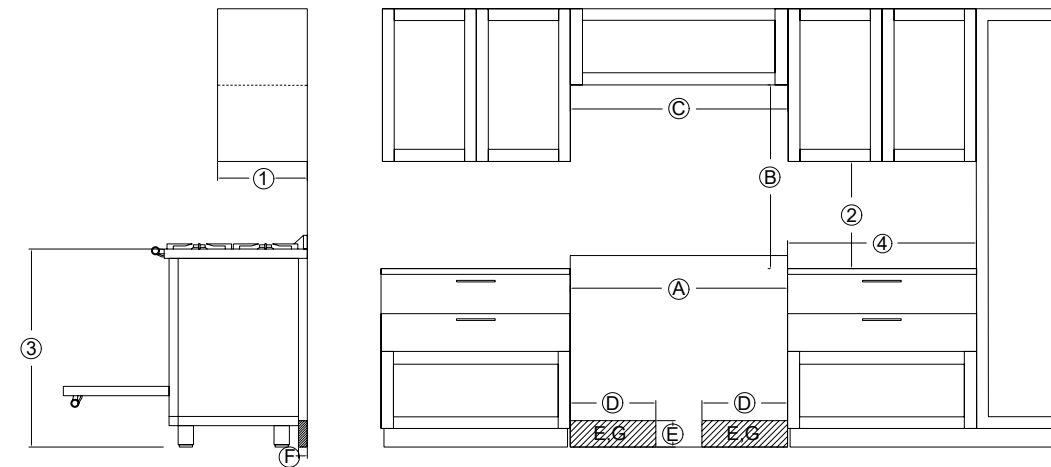
STORAGE	
Type.....	Storage
Width.....	29 8/16" / 75.5 cm
Height.....	3 2/16" / 8 cm
Depth.....	16 5/16" / 41.5 cm

LEGS	
Range Leg Type.....	Cylinder
Range Leg Number.....	4
Adjustable Range Legs.....	Yes
Levelable Range Legs.....	Yes
Range Leg Min. Height.....	6 2/16" / 15.5 cm
Range Leg Max. Height.....	10 1/16" / 25.5 cm
Space Between Leg and Range (Side).....	3/16" / 0.5 cm
Space Between Leg and Range (Front).....	1 15/16" / 5 cm
Space Between Leg and Range (Back).....	3/16" / 0.5 cm

OVERALL DIMENSIONS	
Width.....	35 7/16" / 90 cm
Maximum Height.....	39 9/16" / 100.5 cm
Minimum Height.....	35 19/16" / 90.5 cm
Depth (with handle).....	26 7/16" / 66.5 cm
Depth (without handle).....	23 10/16" / 60 cm



*Oven Capacity's cubic feet is manufacturer's measurement prior to installation of broiler, oven racks, and convection fan. Usable space differs from Actual space due to the rack placements and rotisserie.



The Shaded Area represents the installation area for the connections;
E ; Electric Connection
G ; Gas Connection

Position	Dimensions	Description
1	13" (330 mm)	Maximum depth of top cabinet
2	18" (547 mm)	Minimum distance to bottom edge of top cabinet
3	35 1/2"-37" (901-940 mm)	Distance from the floor to cooktop surface
4	12"	Minimum distance from cooktop surface
A	35 11/16" / 90.64 cm	Range Opening
B	Min 26" (76.2 cm) to Max 32" (82.28 cm)	*Distance between the top of a ILVE range and bottom of an ILVE range hood
C	35 11/16" / 90.64 cm	*Hood area for ILVE range hoods
D	Approx. 10 13/16" (274mm)	Maximum connection width (left and right)
E	Approx. 4 8/16" (115 mm)	Maximum connection height
F	Approx. 2 15/16" (72 mm)	Maximum connection depth

*Measurements are made with ILVE appliances as a reference. For non-ILVE appliances, see their respective spec sheets.