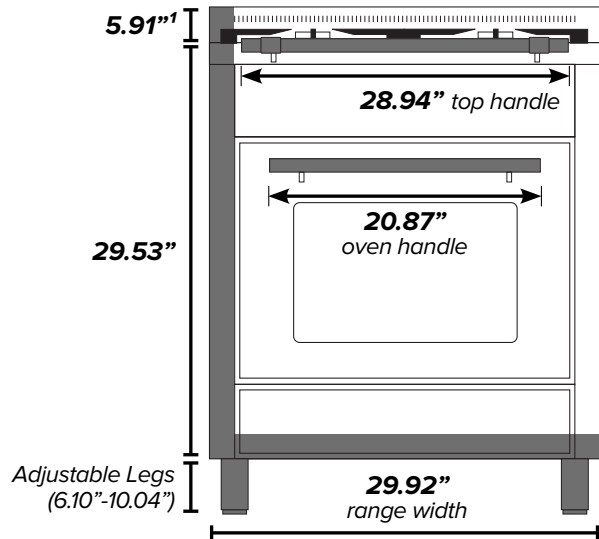
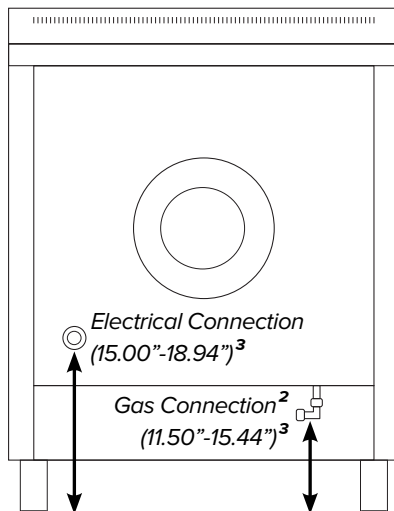


ILVE 30" Professional Plus Gas Range

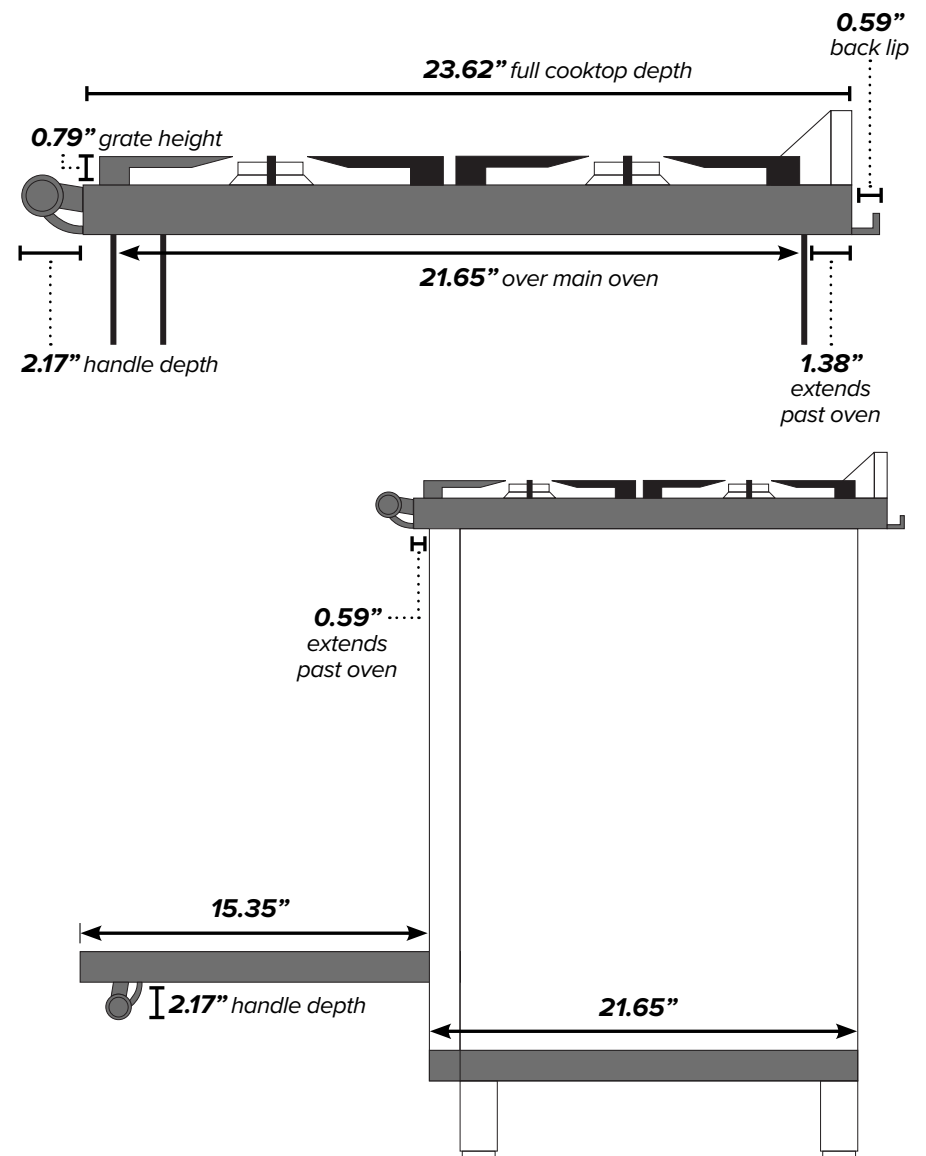
Range Front (Oven Exterior)



Range Back



Range Side



¹Backsplash optional. ²Gas connection lies 1 1/2" from back of range. ³Height above floor.

ILVE 30" Professional Plus Gas Range

