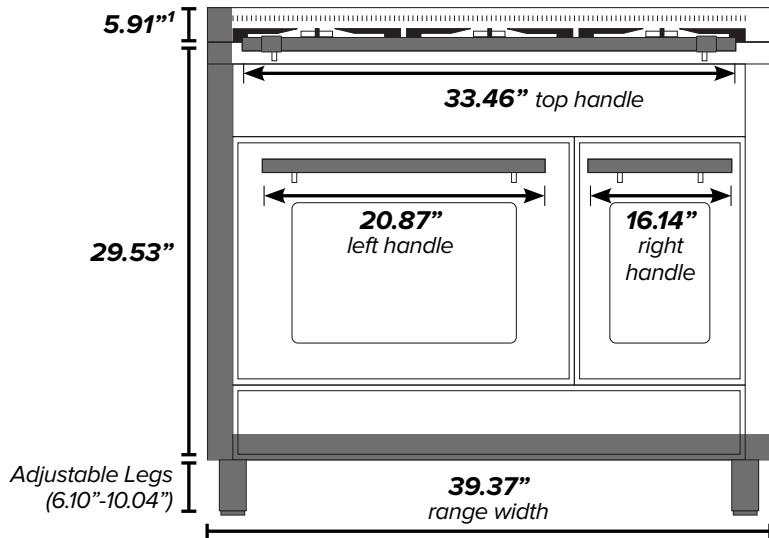
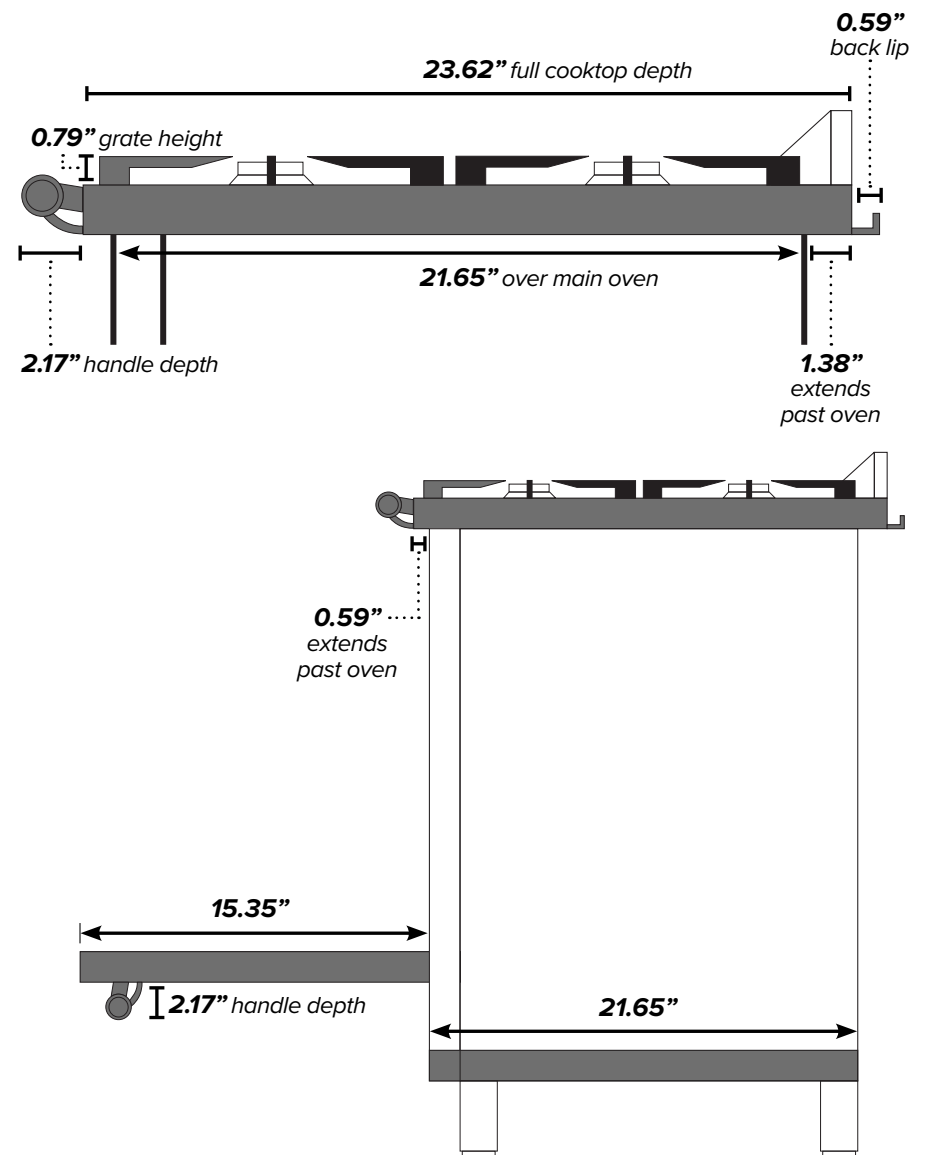


ILVE 40" Professional Plus Dual Fuel Range

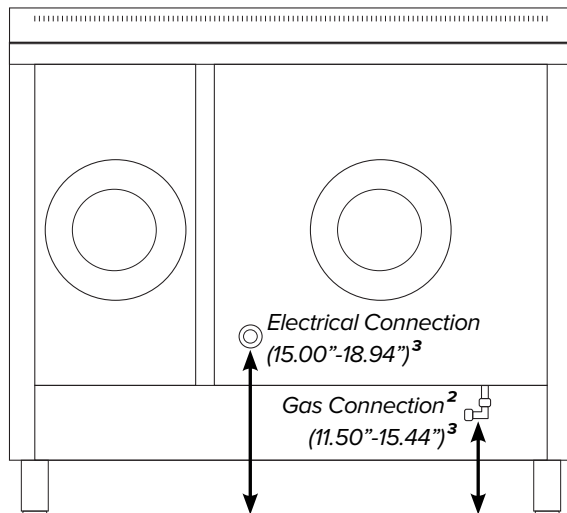
Range Front (Oven Exterior)



Range Side



Range Back



¹Backsplash optional. ²Gas connection lies 1 1/2" from back of range. ³Height above floor.

ILVE 40" Professional Plus Dual Fuel Range

