

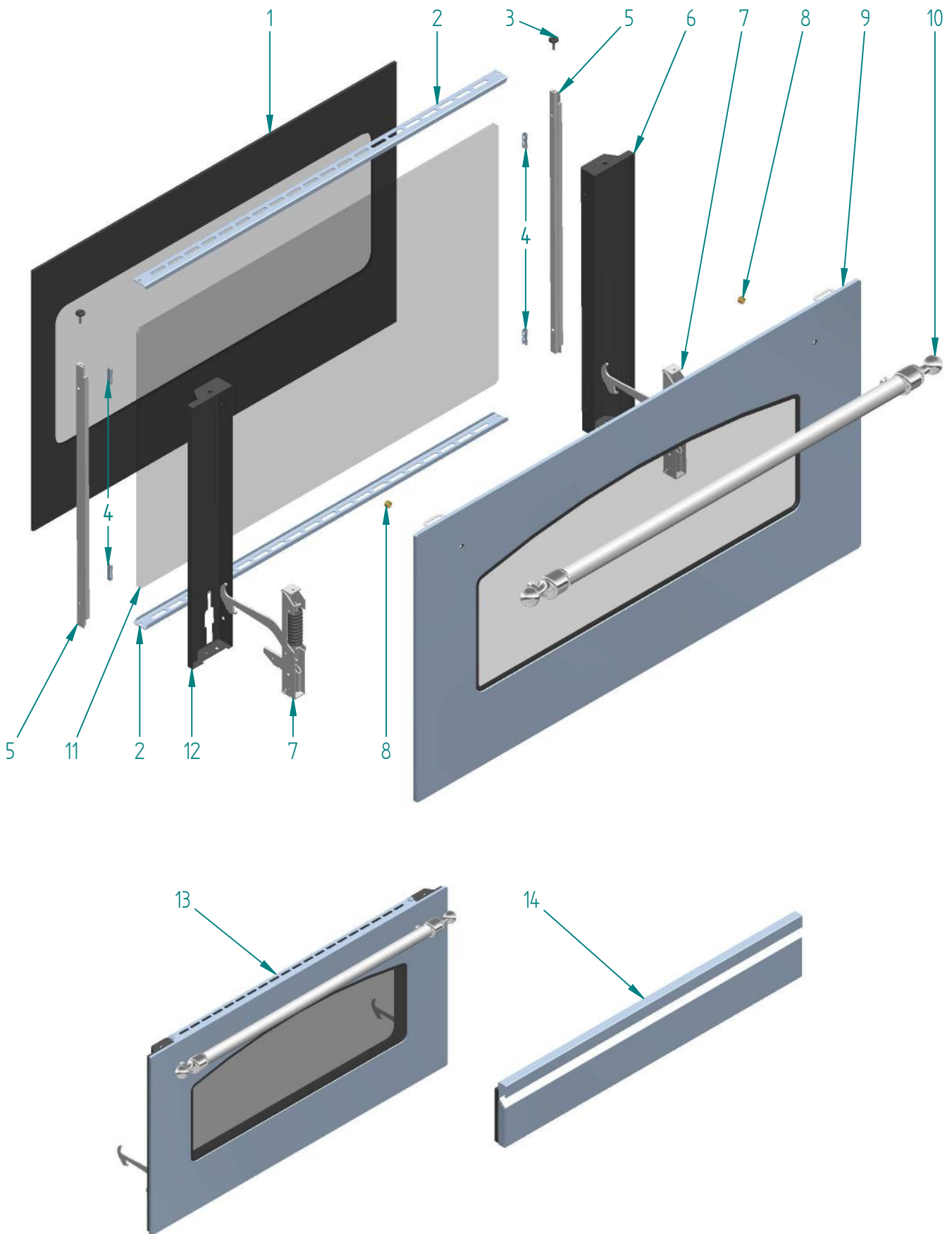
ILVE S.p.a.

UP_90FDVGG

UPN90FDVGG

27/09/2012



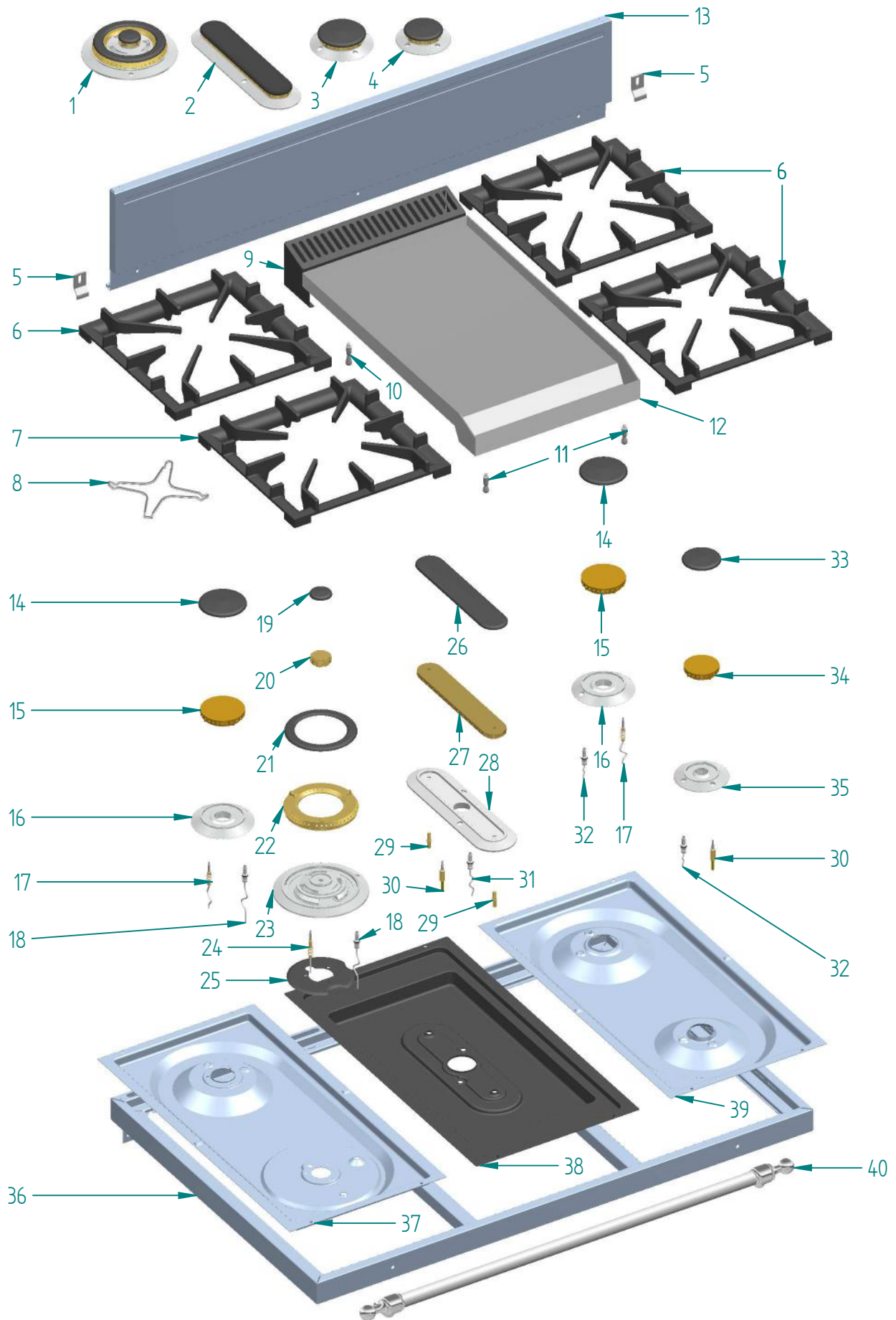


<i>dis.</i>	<i>cod.</i>	<i>descrizione</i>	<i>description</i>
1	A/504/86/86	VETRO INTERNO PORTA 900 TR VETRO	INNER DOOR GLASS
2	S/120/06/08	FERMAVETRO PO 80/90 TR VET INOX USA	GLASS STOP
3	A/602/02	VITE ZIGR FERMAV/FERMAGR LAT FORNO	KNURLED SCREW FOR HOLDING GLASS /SIDE GRILLS FO.
4	A/402/13	MOLLA (CLIP FISSAGGIO) VETRO INTERMEDIO	SPRING
5	A/445/23	PROFILO GUIDA TRIPLO VETRO PORTA	PROFILE
6	S/022/28/14	CONTROPORTA FO 600/800 LAT DX NERO	RIGHT INSIDE DOOR FOR 60/80 OVEN
7	A/028/45	CERNIERA POR FO 90 3V (FARINGOSI)	3 GLASSES 90CM OVEN DOOR HINGE
8	A/065/00	DISTANZIALE OT H=5,5 MANIGLIA POR TA	BRASS SPACER FOR HANDLE
9	G/505/09/00	VETRO+PO 900N 3V BIANCO	900N DOOR GLASS / WHITE
9	G/505/09/01	VETRO+PO 900N 3V BIANCO ANTICO	900N DOOR GLASS / OLD WHITE
9	G/505/09/08	VETRO+PO 900N 3V INOX	900N DOOR GLASS / ST ST
9	G/505/09/10	VETRO+PO 900N 3V MAT	900N DOOR GLASS / MATT
9	G/505/09/52	VETRO+PO 900N 3V ROSSO BORG	900N DOOR GLASS / BURGUNDY
9	G/505/09/54	VETRO+PO 900N 3V BLU NOTTE	900N DOOR GLASS / MID BLUE
10	A/116/27/08	MAN/CORRIM CROMO MAJEST D=22 l=625	MAJESTIC CHROME HANDLE D=22 l=625
11	A/504/86/85	VETRO INTERM PORTA 900 TR VETRO	DOOR GLASS
12	S/022/29/14	CONTROPORTA FO 600/800 LAT SX NERO	LEFT INSIDE DOOR FOR 60/80 OVEN
13	UG/774/00/08	PORTA COMPL 3V UPN90 BIANCO-CROMO	TRIPLE GLASS 90 CM DOOR / WHITE-CH
13	UG/774/01/08	PORTA COMPL 3V UPN90 BIAN ANT-CRO	TRIPLE GLASS 90 CM DOOR / OLD WH-CH
13	UG/774/08/08	PORTA COMPL 3V UPN90 INOX-CROMO	TRIPLE GLASS 90 CM DOOR / ST ST-CH
13	UG/774/10/08	PORTA COMPL 3V UPN90 MAT-CROMO	TRIPLE GLASS 90 CM DOOR / MATT-CH
13	UG/774/52/08	PORTA COMPL 3V UPN90 ROSSO BOR-CRO	TRIPLE GLASS 90 CM DOOR / BURG-CH
13	UG/774/54/08	PORTA COMPL 3V UPN90 ROSSO BLU-CRO	TRIPLE GLASS 90 CM DOOR / M BLUE-CH
14	G/081/00	FRONTALE COMPL CASS P90 PLUS BIANCO	P90 PLUS DRAWER FRONT / WHITE
14	G/081/01	FRONTALE COMPL CASS P90 PLUS BI ANT	P90 PLUS DRAWER FRONT / OLD WHITE
14	G/081/08	FRONTALE COMPL CASS P90 PLUS INOX	P90 PLUS DRAWER FRONT / ST ST
14	G/081/10	FRONTALE COMPL CASS P90 PLUS MAT	P90 PLUS DRAWER FRONT / MATT
14	G/081/52	FRONTALE COMPL CASS P90 PLUS RO BOR	P90 PLUS DRAWER FRONT / BURGUNDY
14	G/081/54	FRONTALE COMPL CASS P90 PLUS BLU	P90 PLUS DRAWER FRONT / MIDN BLUE

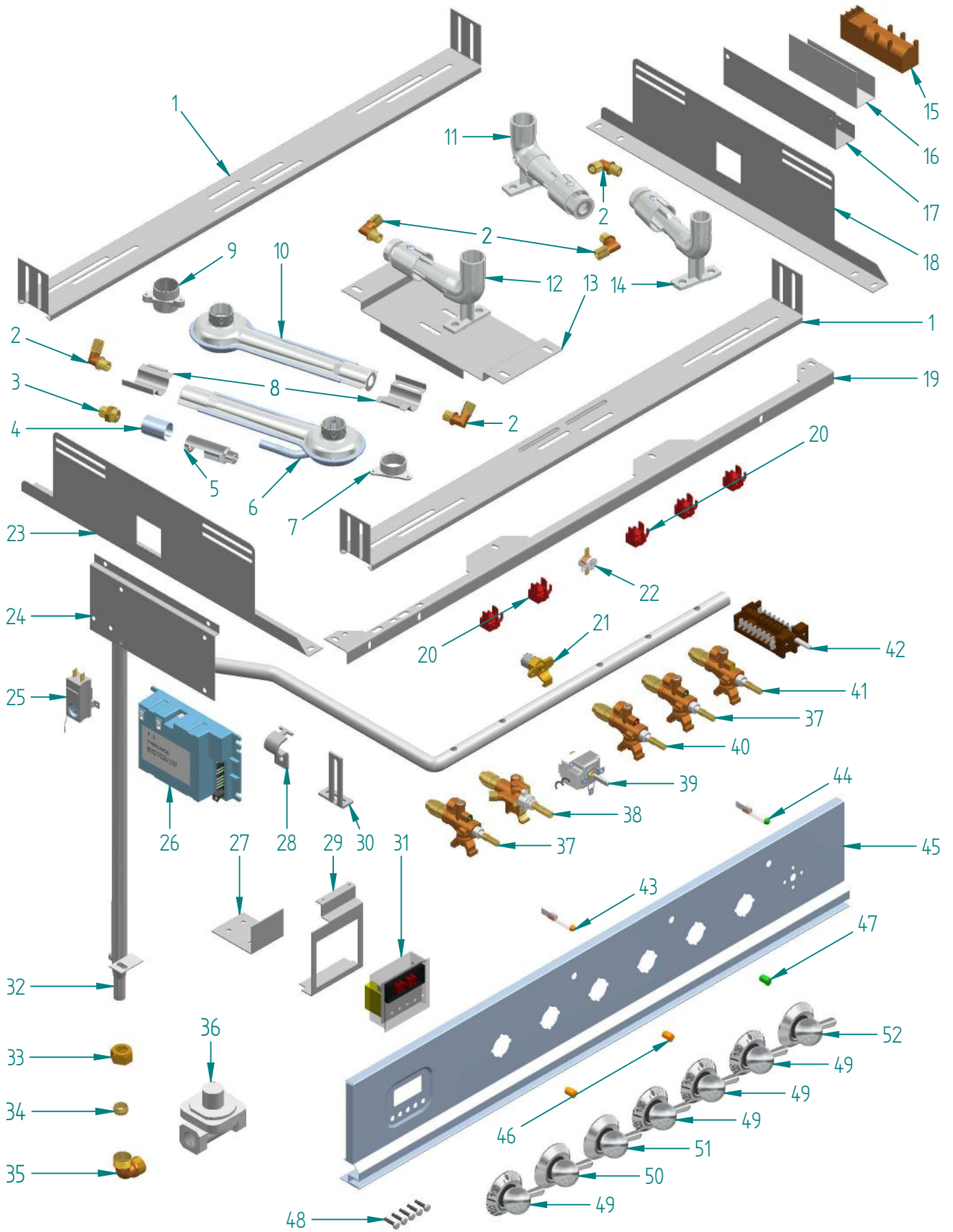
%{Titolo

UPN90FDVGG

27/09/2012



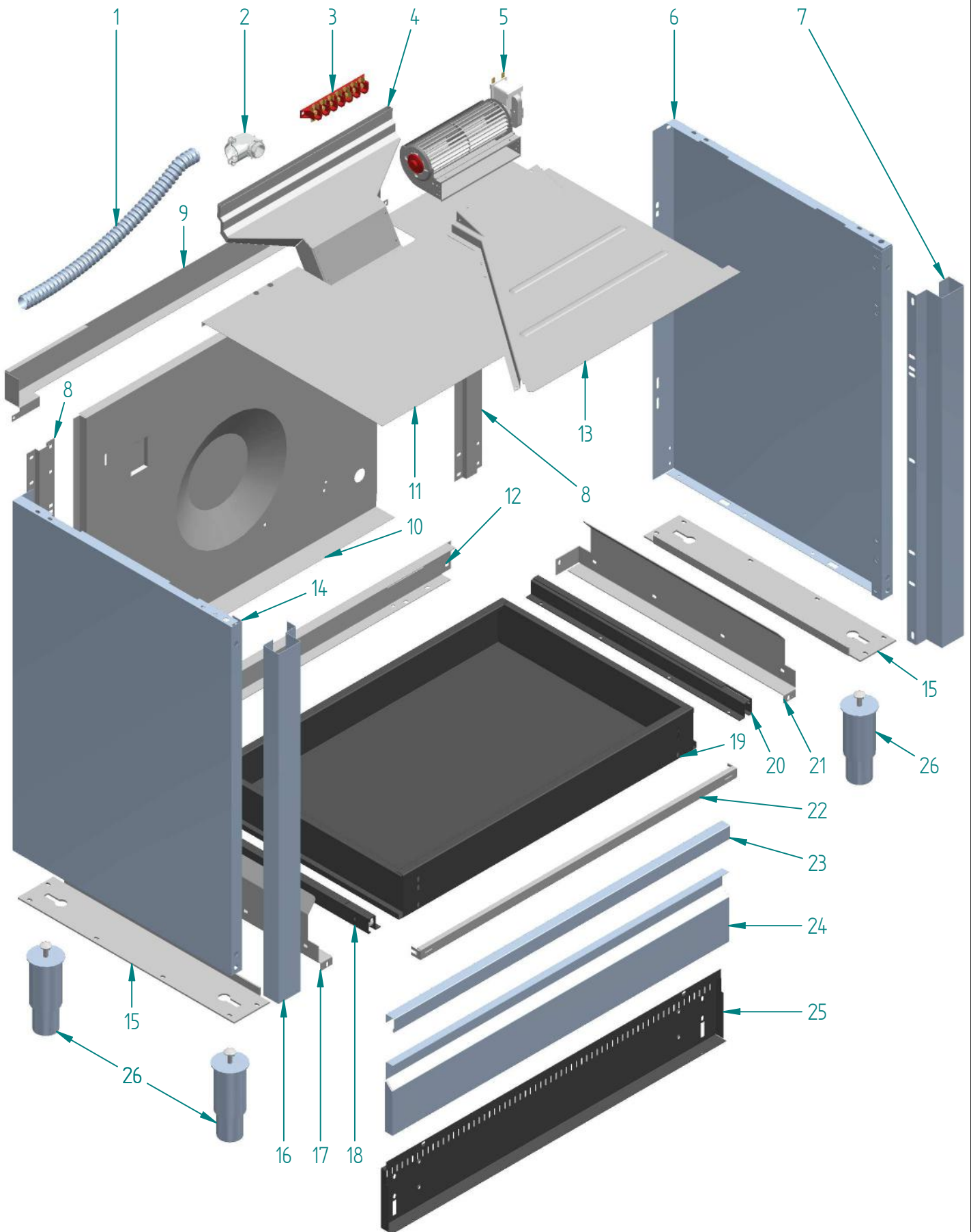
<i>dis.</i>	<i>cod.</i>	<i>descrizione</i>	<i>description</i>
1	KBR013	KIT BRUC TRIPLA CORONA DUAL	COMPLETE DUAL TR RING BURNER
2	KBR002	KIT BRUC PESCERA 2 FORI	COMPLETE FISH BURNER (2 HOLES)
3	KBR003	KIT BRUC RAP PIANO/CUC PROF 2 FORI	COMPLETE RAPID BURNER (2 HOLES)
4	KBR004	KIT BRUC SEM RAP PIA/CUC PRO 2 FORI	COMPLETE SMALL RAPID BURN (2 HOLES)
5	S/232/45	SQUADRETTA FERMA CUCINA	BRACKET
6	A/092/78/10	GRIGLIA PROFESS 60 FORO 80 285X280 VETR	PROFESSIONAL GRILL HOB/COOK. 60 CM (1 HOLE 80 MM)
7	A/092/80/10	GRIGLIA PROFESS 60 FORO 120 285X280VETR	PROFESSIONAL GRILL HOB/COOK. 60 CM (1 HOLE 120 MM)
8	A/092/52	RIDUZIONE FUOCHI FILO CROMATO	RING ADAPTER GRILL
9	S/008/33/14	CAMINETTO FRY TOP PROFESS SMALT	FRY TOP CHIMNEY
10	A/414/06	PERNO LUNGO INN PIA(INC/COMB)+FRY T	LONG COOKTOP PIN
11	A/414/04	PERNO CORTO INN PIA (APP)+FRY TOP	SHORT COOKTOP PIN
12	A/419/01	PIASTRA FRY TOP PROFESSIONAL	FRY TOP PLATE
13	S/002/39	ALZATINA CUCINA USA P90 G-GAS INOX	SPLASHBACK FOR UP90 GAS / ST.ST.
14	A/048/02/10	COPRISPART GRANDE (S2) RAF MAT 3F	LARGE FLAME DIFFUSER COVER
15	A/478/12/90	SPARTIFIAMMA GRANDE	NEW LARGE FLAME DIFFUSER
16	A/488/11/91	TAZZINA P C GRANDE (2 FORI)	HOB COOKER LARGE CUP+IGN+S.V. HOLES
17	A/490/17	TERMOCOPPIA BIFIL 70CM M8X1	THERMOCOUPLE 70
18	A/018/06	CANDELA ACC.(CAVO=MM800 H=MM28)	IGNITION PLUG MM 800
19	A/048/07/10	COPRISPART TC AUX RAF MAT 3F	TRIPLE RING BURNER SMALL COVER
20	A/478/17	SPARTIFIAMMA TC AUSILIARIO +INDEX	TR RING SMALL FLAME DIVIDER (INDEX)
21	A/048/09/10	COPRISPART TC GR 1V/DUAL RAF MAT 3F	TRIPLE RING FLAME DIVIDER COVER
22	A/478/21	SPARTIFIAMMA TC GRANDE 1 V/DUAL +P	DUAL TRIPLE RING BIG FLAME DIVIDER WITH SUPPORTS
23	A/488/24	TAZZINA TC DUAL	TRIPLER RING CUP+IGN+S.V. HOLES
24	A/490/18	TERMOCOPPIA BIFIL DUAL 95CM M8X1	THERMOCOUPLE 95 DUAL BURNER
25	S/091/28	DISCO PROTEZIONE TC CUC DUAL/XLP90	ENAMELED RING
26	A/048/04/10	COPRISPART PESCERA RAF MAT 3F	FISH BURNER FLAME DIFFUSER COVER
27	A/478/08	SPARTIFIAMMA PESCERA	FISH BURNER BRASS FLAME DIFFUSER
28	A/488/13	TAZZINA PESCERA (2 FORI)	FISH BURNER CUP+IGN+S.V. HOLES
29	A/602/42	VITE PESCERA 8X26XM6 OTTONE	RETAINING SCREW FOR FISH BURNER
30	A/490/03	TERMOCOPPIA BIFIL 45CM M8X1	THERMOCOUPLE 45
31	A/018/04	CANDELA ACC.(CAVO=MM600 H=MM28)	IGNITION PLUG MM 600
32	A/018/02	CANDELA ACC.(CAVO=MM400 H=MM28)	IGNITION PLUG MM 400
33	A/048/06/10	COPRISPART PICCOLO (S1) RAF MAT 3F	SMALL FLAME DIFFUSER COVER
34	A/478/12/92	SPARTIFIAMMA PICCOLO	NEW SMALL FLAME DIFFUSER
35	A/488/11/93	TAZZINA P C PICCOLA (2 FORI)	HOB COOKER SMALL CUP+IGN+S.V. HOLES
36	S/238/85/08	TELAIO PIANO CUC USA P-PD90BVF6 IN	FRAME FOR P90 PD90 USA / ST.ST.
37	S/216/30/08	RACCOGLIG P60D-HP665 1F+TC INOX	HP665 1 BURN+ TR DRIP CATCHER
38	S/216/16/14	RACCOGLIG FRY TOP SMALT NERO	DRIP CATCHER FOR PROFESS FRY TOP
39	S/216/12/08	RACCOGLIG P60-P665 2F INOX	DRIP CATCHER 2 RINGS P60 P665 PD90B
40	AMC-90X	CORRIMANO FRONTALE M90 CROMO I=740	CHROME HANDRAIL



<i>dis.</i>	<i>cod.</i>	<i>descrizione</i>	<i>description</i>
1	S/149/06	LISTELLO PORTABR P90-P90B-P906	BURNERS HOLDER FOR P90-P90B-P90_6
2	A/434/04	PORTAINIETT A GOMITO GRILL/FUOCHI	INJECTOR HOLDER GRILL/COOKTOP
3	A/434/06	PORTAINIETT BRUC AUX DUAL	DUAL BURNER INJECTOR HOLDER
4	A/066/10	FARFALLA REG BRUCIAT AUX DUAL	DUAL BURNER REGUL VALVE
5	A/014/23	BRUCIATORE (VENTURI) AUX DUAL	SMALL DUAL BURNER
6	A/014/22	BRUCIATORE SOGLIOLA TC DUAL COMPL	DUAL BURNER
7	A/082/30	GHIERA AL 28X12 (GRANDE)	BIG BURNER RING
8	S/096/00	FARFALLA REG ARIA BRUC SOGLIOLA	BURNER AIR REG. BUTTERFLY VALVE
9	A/082/33	GHIERA AL 28X29 R PIANO XL PROFESS	XLP90 BURNER RING
10	A/014/21	BRUCIATORE SOGLIOLA GRANDE ALLUMINATO	BIG BURNER
11	A/014/12/90	BRUCIATORE PIPA GRANDE (H=94)	BIG BURNER (H=94)
12	A/014/12/93	BRUCIATORE PIPA GRANDE (H=86) PESCIERA PROFESSIONAL	BIG BURNER (H=86MM)
13	S/149/42	LISTELLO PORTABR FRY TOP	STRIP
14	A/014/12/91	BRUCIATORE PIPA PICCOLO (H=94)	SMALL BURNER (H=94)
15	A/494/27	TRASFORMATORE ACC EL 6 FUOCHI UL	6 WAYS IGN TRANSFORMER
16	A/024/12	CARTONCINO ISOL NOMEX TRASF 6FUOCHI	NOMEX INSULATING CARD FOR IGNITION TRANSFORMER 6 BURNE
17	S/236/77	SUPPORTO TRASF ACC CUC PROFESSIONAL	EL. IGN. TRANSFORMER HOLDER FOR PROFESSIONAL COOKER
18	S/128/90	LATERALE PORTABR CUC PROFESS SX	LEFT SIDE BURNER HOLDER
19	S/148/03	LISTELLO FERMACRU CUC P90	CONTROL BOARD ANCHORING STRIP FOR 90CM. PROFESSIONAL C
20	A/401/14	MICROINT ACC RUB SABAF CUC	IGNITION SWITCH
21	A/452/12	RACCORDO OT TUB/RAMPA CUC GAS USA	CONNECTOR
22	A/492/37	TERMOREG SIC NA 50°C UL	SAFETY THERMOSTAT UL
23	S/128/91	LATERALE PORTABR CUC PROFESS DX	RIGHT SIDE BURNER HOLDER
24	S/237/54	SUPPORTO CENTRALINA FORNO GAS USA	HOLDER
25	A/492/34	TERMOSTATO SIC FO EL STAT UL RIARMO AUTOMATICO TAR/	SAFETY THERMOSTAT
26	A/029/00	CENTRALINA CONTR FO GAS 120V 2 USC	GAS OVEN CONTROL UNIT
27	S/232/33	SQUADRETTA BLOCC PR/CON CUC MUF RIB	BRACKET
28	S/004/02	BRIGLIA RAMPA FORNO ELZN	OVEN RAMP CLAMP
29	S/236/63	SUPPORTO PROGR EL145 (5 TASTI) CUC	PROGRAMMER HOLDER (EL145) FOR COOKER
30	S/232/63	SQUADRETTA FERMAR CU/FO 30/10 ZN CHMUFF CH	SMALL STOP RAMP CLAMP FOR OVENS AND COOKERS
31	A/036/17	CONTAM ELETTR EL2000 USA 120V 60HZ	TIMER EL2000 UL
32	A/454/41	RAMPA CUCINA 5 FORI + 1 (P90/PD90) PRESA PRESSIONE	RAMP FOR P90/PD90 (5+1 HOLES) WITH VALVE
33	A/062/20	DADO 1/2 D.14 RACCORDO PORTAGOMMA A/415/11 935002022	NUT HOSETAIL S.436/4
34	A/004/04	BICONO 14MM RACCORDO PORTAGOMMA S135 944000016	HOSE NUT
35	A/452/04	RACC CURVO PORTAG (SIRAL) 1/2" PO-04 D.14 OT 9360000070	HOSETAIL COUPLING (SIRAL)
36	A/437/00	STABILIZZATORE PRESSIONE CSA	PRESSURE GAS REGULATOR
37	A/466/43	RUB ALLOG MICRO CUC VALV (40)R-SR	VALVE + S.V.
38	A/466/61	RUB ALLOG MICRO CUC VALV DUAL TC	DUAL VALVE + S.V.
39	A/492/03	TERMOSTATO ELETTR FO GAS UL/CSA 55.19053.010	GAS OVEN ELECTRIC THERMOSTAT
40	A/466/44	RUB ALLOG MICRO CUC VALV (52)P	VALVE + S.V.
41	A/466/57	RUB ALLOG MICRO CUC VALV (32) SR	VALVE + S.V.
42	A/034/04	COMMUT FORNO ELETTRICO	ELECTRIC OVEN SWITCH
43	A/106/31	LAMPADA SPIA D.10 FAST 110 UL	LAMP
44	A/106/32	LAMPADA SPIA D.10 FLUOR 110 UL	LAMP
45	S/086/77/00	CRUSCOTTO CUC UP90 (5T) BIAN	CONTROL BOARD UP90 UL / WHITE
45	S/086/77/01	CRUSCOTTO CUC UP90 (5T) BIAN ANT	CONTROL BOARD UP90 UL / OLD WH
45	S/086/77/08	CRUSCOTTO CUC UP90 (5T) INOX	CONTROL BOARD UP90 UL / ST ST
45	S/086/77/10	CRUSCOTTO CUC UP90 (5T) MAT	CONTROL BOARD UP90 UL / MATT
45	S/086/77/52	CRUSCOTTO CUC UP90 (5T) ROSSO BORG	CONTROL BOARD UP90 UL / BURGUNDY
45	S/086/77/54	CRUSCOTTO CUC UP90 (5T) BLU N	CONTROL BOARD UP90 UL / MIDN BLUE
46	A/080/11	GEMMA SPIA D.10 ARANCIO INCASTRO	ORANGE WARNING LIGHT FOR SWITCH
47	A/080/12	GEMMA SPIA D.10 VERDE INCASTRO	GREEN WARNING LIGHT FOR SWITCH
48	A/491/03	TASTO PROGR EL145/EL2000 METAL T1/2T=10 G=14,5	PROGRAMMER BUTTON / ST ST COLOUR
49	G/340/10/08	MANOPOLA MAJ GAS CUCINA NERO-CRO	GAS KNOB FOR MAJ COOKER / CHROME
50	G/353/10/08	MANOPOLA MAJ GAS CUC DUAL NERO-CRO	DUAL GAS KNOB FOR MAJ COOK/CHR
51	G/373/10/08	MANOPOLA MAJ TERM EL FO VG UL CROMO	GAS THERM KNOB MAJ-T / CHR
52	G/315/10/08	MANOPOLA MAJ COMM VGG EL.NICO IN-CR	VGG SELEC KNOB MAJ-T COOKER / CHR

UPN90FDVGG

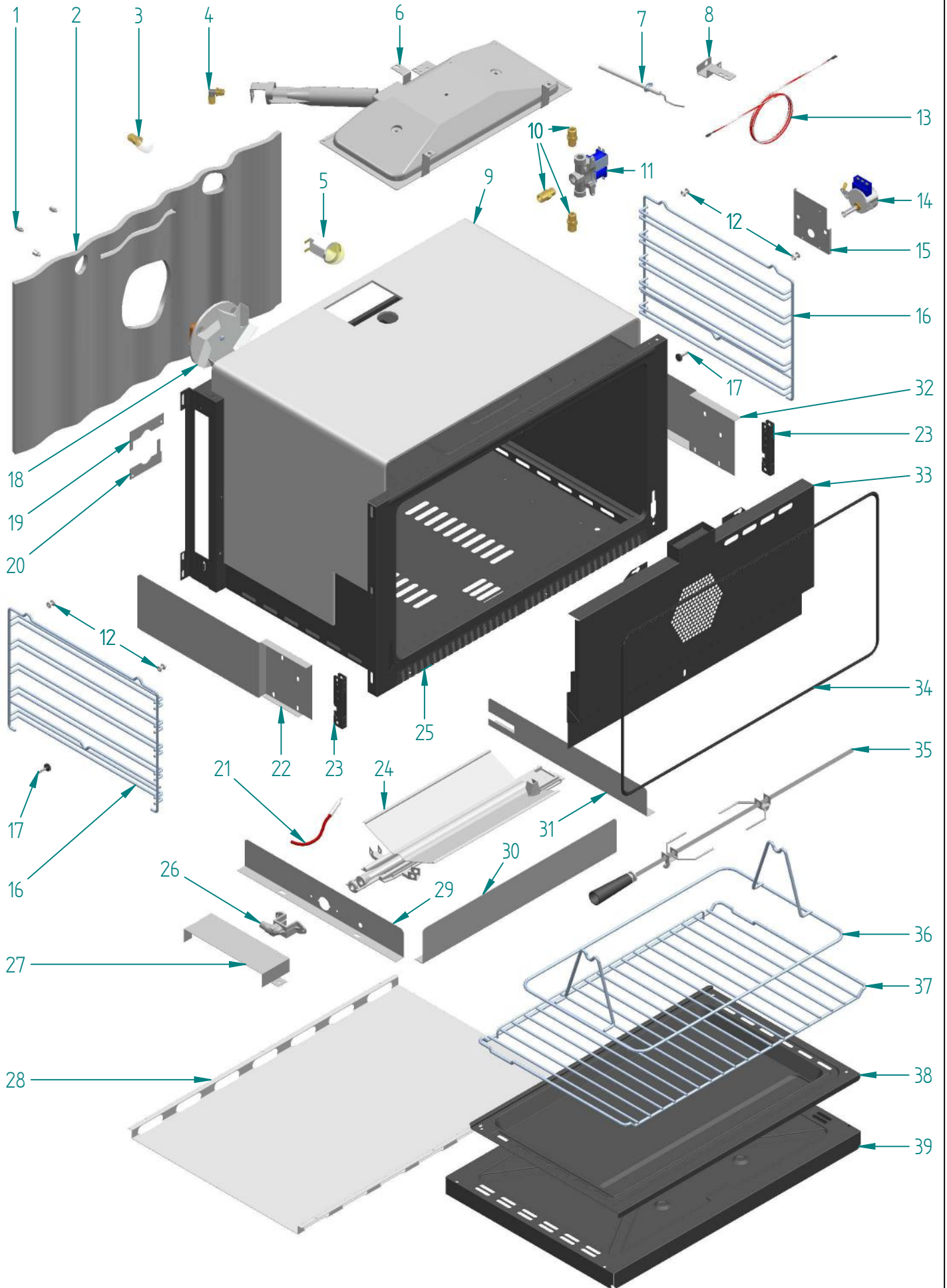
27/09/2012



<i>dis.</i>	<i>cod.</i>	<i>descrizione</i>	<i>description</i>
1	A/498/12	TUBO FLEX PROTEZIONE CAVI (3/4) UL	CONDUIT
2	A/452/06	RACCORDO TUBO FLEX 90° 3/4" UL/CSA	CONNECTOR
3	A/404/05	MORSETTIERA FV273/7 7 POLI+TERRA UL	TERMINAL BOARD FV273/7
4	S/008/35	CAMINETTO CUCINA USA PROFESS 90	PROFESSIONAL COOKER CHIMNEY
5	A/406/07	MOTOV TANG L=180 120V CLASSE H UL	COOLING FAN
6	S/128/41/00	LATERALE CUC PROFESS DX BIANCO	SIDE PANEL SX / WHITE
6	S/128/41/01	LATERALE CUC PROFESS DX BIANCO ANTICO	SIDE PANEL DX / OLD WHITE
6	S/128/41/08	LATERALE CUC PROFESS DX INOX	SIDE PANEL DX / ST ST
6	S/128/41/10	LATERALE CUC PROFESS DX MAT	SIDE PANEL DX / MATT
6	S/128/41/52	LATERALE CUC PROFESS DX ROSSO BORGOGNA	SIDE PANEL DX / BURGUNDY
6	S/128/41/54	LATERALE CUC PROFESS DX BLU NOT TE	SIDE PANEL DX / MIDN BLUE
7	S/210/12/00	PROFILO CUC P90 DX BIANCO	PROFILE FOR P90 DX / WHITE
7	S/210/12/01	PROFILO CUC P90 DX BIANCO ANTICO	PROFILE FOR P90 DX / OLD WHITE
7	S/210/12/08	PROFILO CUC P90 DX INOX	PROFILE FOR P90 DX / ST.ST.
7	S/210/12/10	PROFILO CUC P90 DX MAT	PROFILE FOR P90 DX / MATT
7	S/210/12/52	PROFILO CUC P90 DX ROSSO BORGOGN A	PROFILE FOR P90 DX / BURGUNDY
7	S/210/12/54	PROFILO CUC P90 DX BLU NOTTE	PROFILE FOR P90 DX / MIDNIGHT BLUE
8	S/212/00	PROLUNGA LAT POST CUC APP/COMB 90	SIDE BACK EXTENSION FOR 90CM. COOKER
9	S/212/64	PROLUNGA COPRISCH P-PD90 GAS USA	UP-UPD90 UPPER BACK EXTENSION
10	S/036/83	COPRISCH CUC USA APP 80/90 G-E-M	BACK COVER UPRIGHT COOKER 80/90 UL
11	S/172/66	PARACALORE CUC 80/90 VGG USA	HEAT SHIELD FOR 80/90 GAS
12	S/148/45	LISTELLO FERMACUC P-PD90 POST INF	STRIP
13	S/024/50	CONV CUC 90 COMP/PROF MUFF RIB	AIR CONVEYER FOR 90CM COOKER UL
14	S/128/42/00	LATERALE CUC PROFESS SX BIANCO	SIDE PANEL SX / WHITE
14	S/128/42/01	LATERALE CUC PROFESS SX BIANCO ANTICO	SIDE PANEL SX / OLD WH
14	S/128/42/08	LATERALE CUC PROFESS SX INOX	SIDE PANEL SX / ST ST
14	S/128/42/10	LATERALE CUC PROFESS SX MAT	SIDE PANEL SX / MATT
14	S/128/42/52	LATERALE CUC PROFESS SX ROSSO BORGOGNA	SIDE PANEL SX / BURGUNDY
14	S/128/42/54	LATERALE CUC PROFESS SX BLU NOT TE	SIDE PANEL SX / MIDN BLUE
15	S/234/12	STAFFA PER PIEDINI PD90/P120/P150 DX-SX	FEET STIRRUP FOR P90-P120-P150
16	S/210/14/00	PROFILO CUC P90 SX BIANCO	PROFILE FOR P90 SX / WHITE
16	S/210/14/01	PROFILO CUC P90 SX BIANCO ANTICO	PROFILE FOR P90 SX / OLD WHITE
16	S/210/14/08	PROFILO CUC P90 SX INOX	PROFILE FOR P90 SX / ST.ST.
16	S/210/14/10	PROFILO CUC P90 SX MAT	PROFILE FOR P90 SX / MATT
16	S/210/14/52	PROFILO CUC P90 SX ROSSO BORGOGN A	PROFILE SX FOR P90 / BURGUNDY
16	S/210/14/54	PROFILO CUC P90 SX BLU NOTTE	PROFILE FOR P90 SX / MIDNIGHT BLUE
17	S/149/72	LISTELLO PORTAG CASS QUADRA SX	LEFT STRIP
18	A/096/11	GUIDA INF/SUP SX CASS PC96 L=500	DRAWER GUIDE
19	S/012/20/10	CASSETTO CUC P80/90 MAT	P80/90 DRAWER
20	A/096/10	GUIDA INF/SUP DX CASS PC96 L=500	DRAWER GUIDE
21	S/149/71	LISTELLO PORTAG CASS QUADRA DX	RIGHT STRIP
22	S/149/97	LISTELLO FERMACUC P80/90 PL ANT INF	STRIP
23	S/150/04/00	MANIGLIONE PO SCA/CASS P90 BIANCO	HANDLE FOR FOOD WARMER (P90) / WHITE
23	S/150/04/01	MANIGLIONE PO SCA/CASS P90 BI ANT	HANDLE FOR FOOD WARMER (P90)/OLD WH
23	S/150/04/08	MANIGLIONE PO SCA/CASS P90 INOX	HANDLE FOR FOOD WARMER (P90) / ST.ST.
23	S/150/04/10	MANIGLIONE PO SCA/CASS P90 MAT	HANDLE FOR FOOD WARMER (P90) / MATT
23	S/150/04/52	MANIGLIONE PO SCA/CASS P90 ROSS BOR	HANDLE FOR WARMER FOOD (P90) / BURGUNDY
23	S/150/04/54	MANIGLIONE PO SCA/CASS P90 BLU NOTT	HANDLE FOR WARMER FOOD (P90) / MIDNIGHT BLUE
24	S/196/13/00	PORTA SCALDAV/CASS T90 BIANCO	FOOD WARMER DOOR FOR T90 / WHITE
24	S/196/13/01	PORTA SCALDAV/CASS T90 BI ANT	FOOD WARMER DOOR FOR T90 / OLD WH
24	S/196/13/08	PORTA SCALDAV/CASS T90 INOX	FOOD WARMER DOOR FOR T90 / ST ST
24	S/196/13/10	PORTA SCALDAV/CASS T90 MAT	FOOD WARMER DOOR FOR T90 / MATT
24	S/196/13/52	PORTA SCALDAV/CASS T90 ROSSO	FOOD WARMER DOOR FOR T90 / BURGUN
24	S/196/13/54	PORTA SCALDAV/CASS T90 BLU	FOOD WARMER DOOR FOR T90 / BLUE
25	S/022/20	CONTROPORTA SCALDAV/CASS P90 MAT	FOOD WARMER INSIDE DOOR FOR P90
26	A/422/13	PIEDINO REGISTRABILE H 100-160	ADJUSTABLE FOOT H 100-160

UPN90FDVGG

27/09/2012



<i>dis.</i>	<i>cod.</i>	<i>descrizione</i>	<i>description</i>
1	A/602/05	VITE FISS MOTORE RADIALE	SCREEW
2	A/108/26	LANA DI VETRO SCHIENA FORNO 90 MULTAGU 80/20	FIBERGLASS OVEN BACK 90 MULTIFUNCTION
3	A/106/00	LAMPADA FORNO 110V	OVEN LIGHT 110V
4	A/434/02	PORTAINIETT A GOMITO BRUC FORNO	INJECTOR HOLDER OVEN BURNER
5	A/436/02	PORTAL+LAMPADA 110V	OVEN LAMP HOLDER
6	S/006/29	BRUCIATORE GRILL INFRAR 70/90 USA	60 GRILL BURNER
7	A/018/23	CANDELA BRUC GRILL USA SENZA CAVO	GAS OVEN PLUG m/m 1400
8	S/237/82	SUPPORTO CANDELETTA GRILL INFR USA	
9	A/108/12	LANA DI VETRO MANTELLO 90 1 ALL+AGU 60/17	FIBERGLASS MANTLE 900
10	A/452/11	RACCORDO OT ELETTRIC FORNO GAS USA	ELECTRIC VALVE CONNECTOR
11	A/499/09	ELETTRIC VALV 2 USCITE 10V GG UL-CSA	VALVE
12	A/482/12	SUPPORTO GRIGLIA LAT. (FORNO)	GRILL SIDE SUPPORT (OVEN)
13	A/026/42	CAVO CANDELA GRILL INFRARED USA	CABLE
14	A/406/03/02	MOTORID GIRARR (UL) 120V 60HZ	SPIT GEARED MOTOR 110V
15	S/236/98	SUPPORTO MOTORIDUTTORE	SPIT GERED MOTOR HOLDER SUPPORT
16	A/092/43	GRIGLIA LAT FORNO MUFF CHIUSA 5 COR	OVEN SIDE GRILL
17	A/602/03	VITE ZIGR FERMAGR LAT MUFF CHIUSA	KNURLED SCREW SIDE GRILLS STOPPING
18	G/406/23	MOTOVENTILATORE COMPL 120V 60HZ UL	COMPLETE FAN 120V
19	S/031/25	COPRIFORO BR GRILL MUFF VGG USA SUP	HOLE COVER
20	S/031/24	COPRIFORO BR GRILL MUFF VGG USA INF	HOLE COVER
21	A/018/24	CANDELA BRUC FORNO 900 USA MM???	GAS OVEN PLUG
22	S/108/09	FERMA LANA DI VETRO SX 2002	FIBER GLASS STOP
23	A/468/04	RULLINO+PORTARULL CERN TN (FARING)	RULLER
24	A/014/01	BRUCIATORE FORNO 900 USA+CANDELETTA	OVEN BURNER
25	S/162/42/14	MUFFOLA 80/90 G-GAS INFRARED USA SM	MUFFLE
26	A/434/07	PORTAINIETT BRUC FORNO 90 USA	INJECTOR HOLDER
27	S/214/22	PROTEZIONE INIETT MUFF 80/90GG USA	INJECTOR PROTECTION
28	S/228/08	SOTTOFONDO 900 VG USA	GAS OVEN BOTTOM 900 UL
29	S/091/31	DEFLETTORE MUFF 80/90 GG SX USA	DEFLECTOR
30	S/091/30	DEFLETTORE MUFF 80/90 GG ANT USA	DEFLECTOR
31	S/091/04	DEFLETTORE FONDO MUFFOLA VG	
32	S/108/08	FERMA LANA DI VETRO DX 2002	FIBER GLASS STOP
33	S/038/09	COPRIVENTOLA 800/900 USA VG2 NERO	FAN COVER 90
34	A/094/70	GUARN MUFF MATR 09154/A 900 CHIUSA	900 OVEN GASKET
35	A/480/02	SPIEDO FORNO 8/900 TRASV L=565MM	TRANSVERSE SPIT 800/900
36	A/482/10	SUPP GIRAR DIS 167 FORNO/CUCINA 90	SPIT SUPPORT 90X60
37	A/092/39	GRIGLIA FORNO 90X60 RINFORZATA USA	OVEN GRID
38	S/146/04	LECCARDA 80/90 NERO	ENAMELLED DRIPPING PAN 80/90
39	S/230/18	SOTTOFORNO 80/90 GG USA NERO	OVEN BOTTOM 80/90 GG

%{Titolo