

ILVE S.p.a.

UP_76DVGG

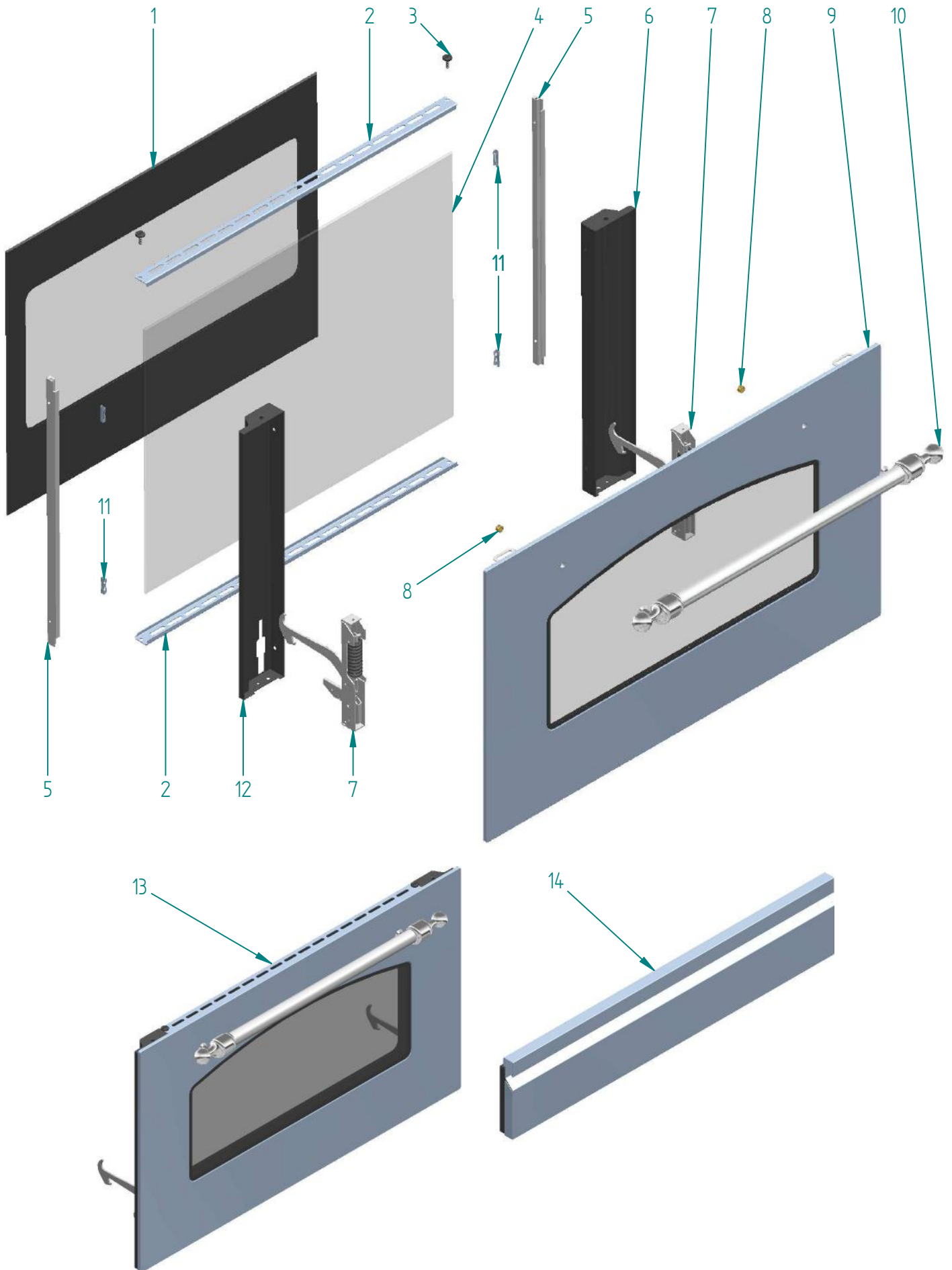
UPN76DVGG

02/10/2012



UPN76DVGG

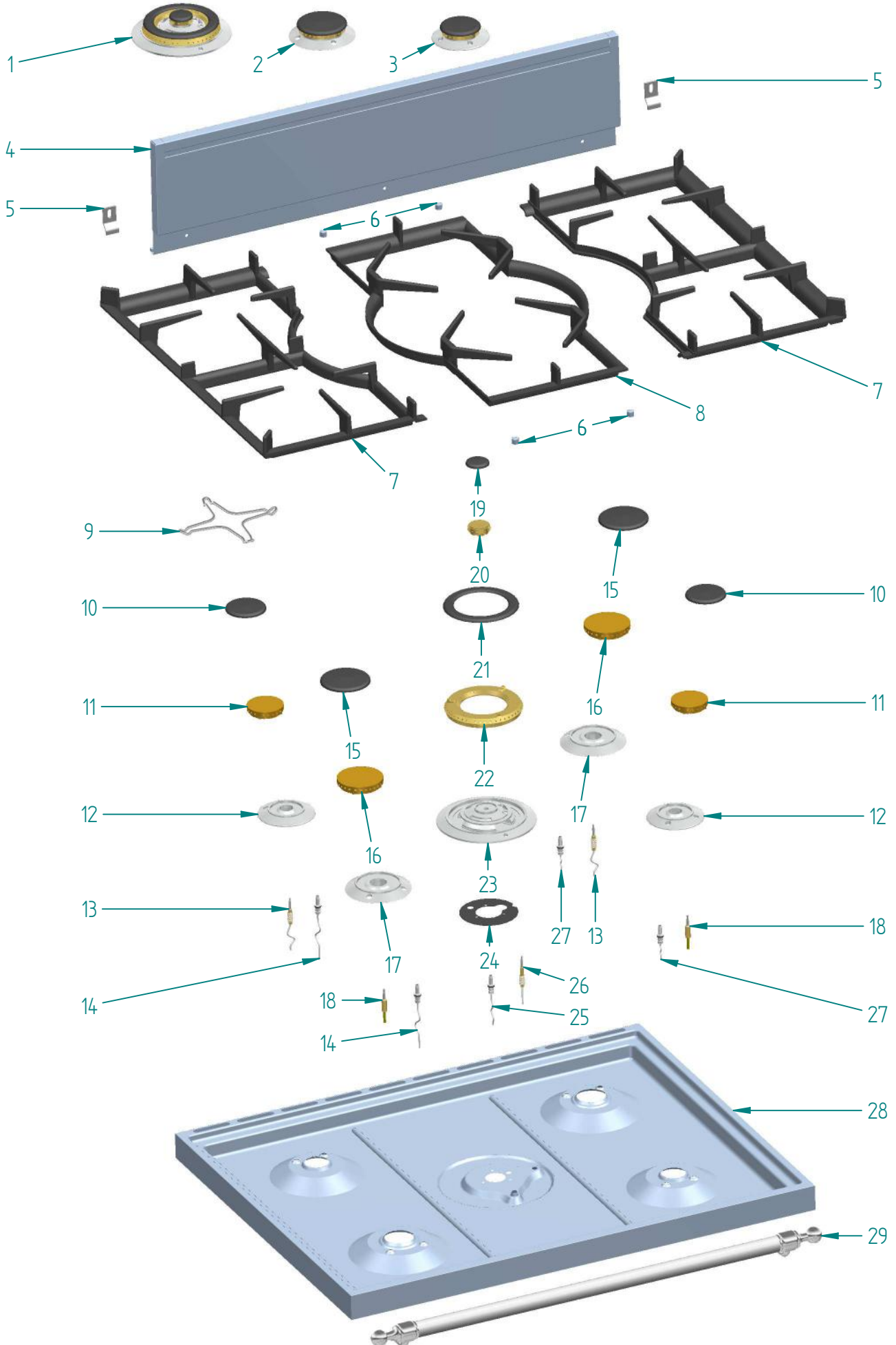
02/10/2012



<i>dis.</i>	<i>cod.</i>	<i>descrizione</i>	<i>description</i>
1	A/504/84/96	VETRO INTERNO PORTA 70 TR VETRO	INSIDE 70CM DOOR GLASS
2	S/120/13/08	FERMAVETRO PO 70 TR VETRO USA INOX	GLASS STOP
3	A/602/02	VITE ZIGR FERMAV/FERMAGR LAT FORNO	KNURLED SCREW FOR HOLDING GLASS /SIDE GRILLS FO.
4	A/504/84/97	VETRO INTERM PORTA 70 TR VETRO	INTERMEDIATE 70CM DOOR GLASS
5	A/445/23	PROFILO GUIDA TRIPLO VETRO PORTA	PROFILE
6	S/022/28/14	CONTROPORTA FO 600/800 LAT DX NERO	RIGHT INSIDE DOOR FOR 60/80 OVEN
7	A/028/45	CERNIERA POR FO 90 3V (FARINGOSI)	3 GLASSES 90CM OVEN DOOR HINGE
8	A/065/00	DISTANZIALE OT H=5,5 MANIGLIA POR TA	BRASS SPACER FOR HANDLE
9	G/505/71/00	VETRO+PO 700N 3V BIANCO	700N DOOR GLASS / WHITE
9	G/505/71/01	VETRO+PO 700N 3V BIAN ANT	700N DOOR GLASS / OLD WHITE
9	G/505/71/08	VETRO+PO 700N 3V INOX	700N DOOR GLASS / ST ST
9	G/505/71/10	VETRO+PO 700N 3V MAT	700N DOOR GLASS / MATT
9	G/505/71/52	VETRO+PO 700N 3V ROSSO BORG	700N DOOR GLASS / BURGUNDY
9	G/505/71/54	VETRO+PO 700N 3V BLU	700N DOOR GLASS / MIDN BLUE
10	A/116/26/08	MAN/CORRIM CROMO MAJEST D=22 l=420	CHROME HANDLE MAJESTIC D=22 l=420
11	A/402/13	MOLLA (CLIP FISSAGGIO) VETRO INTERMEDIO	SPRING
12	S/022/29/14	CONTROPORTA FO 600/800 LAT SX NERO	LEFT INSIDE DOOR FOR 60/80 OVEN
13	UG/820/00/08	PORTA COMPL 3V UPN76 BIANCO-CRO	TRIPLE GLASS 70 CM DOOR / WHITE-CHR
13	UG/820/01/08	PORTA COMPL 3V UPN76 BI ANT-CRO	TRIPLE GLASS 70 CM DOOR/OLD WH-CHR
13	UG/820/08/08	PORTA COMPL 3V UPN76 INOX-CRO	TRIPLE GLASS 70 CM DOOR / ST ST-CHR
13	UG/820/10/08	PORTA COMPL 3V UPN76 MAT-CRO	TRIPLE GLASS 70 CM DOOR/MATT-CHR
13	UG/820/52/08	PORTA COMPL 3V UPN76 ROSSO BOR-CRO	TRIPLE GLASS 70 CM DOOR/BURG-CHR
13	UG/820/54/08	PORTA COMPL 3V UPN76 BLU N-CRO	TRIPLE GLASS 70 CM DOOR/MIDN BL-CHR
14	G/125/00	FRONTALE COMPL CASS P76 PLUS BIANCO	P76 PLUS DRAWER FRONT / WHITE
14	G/125/01	FRONTALE COMPL CASS P76 PLUS BI ANT	P76 PLUS DRAWER FRONT / OLD WH
14	G/125/08	FRONTALE COMPL CASS P76 PLUS INOX	P76 PLUS DRAWER FRONT / ST ST
14	G/125/10	FRONTALE COMPL CASS P76 PLUS MAT	P76 PLUS DRAWER FRONT / MATT
14	G/125/52	FRONTALE COMPL CASS P76 PLUS RO BOR	P76 PLUS DRAWER FRONT / BURGUN
14	G/125/54	FRONTALE COMPL CASS P76 PLUS BLU	P76 PLUS DRAWER FRONT / MIDN BLUE

%{Titolo}

UPN76DVGG

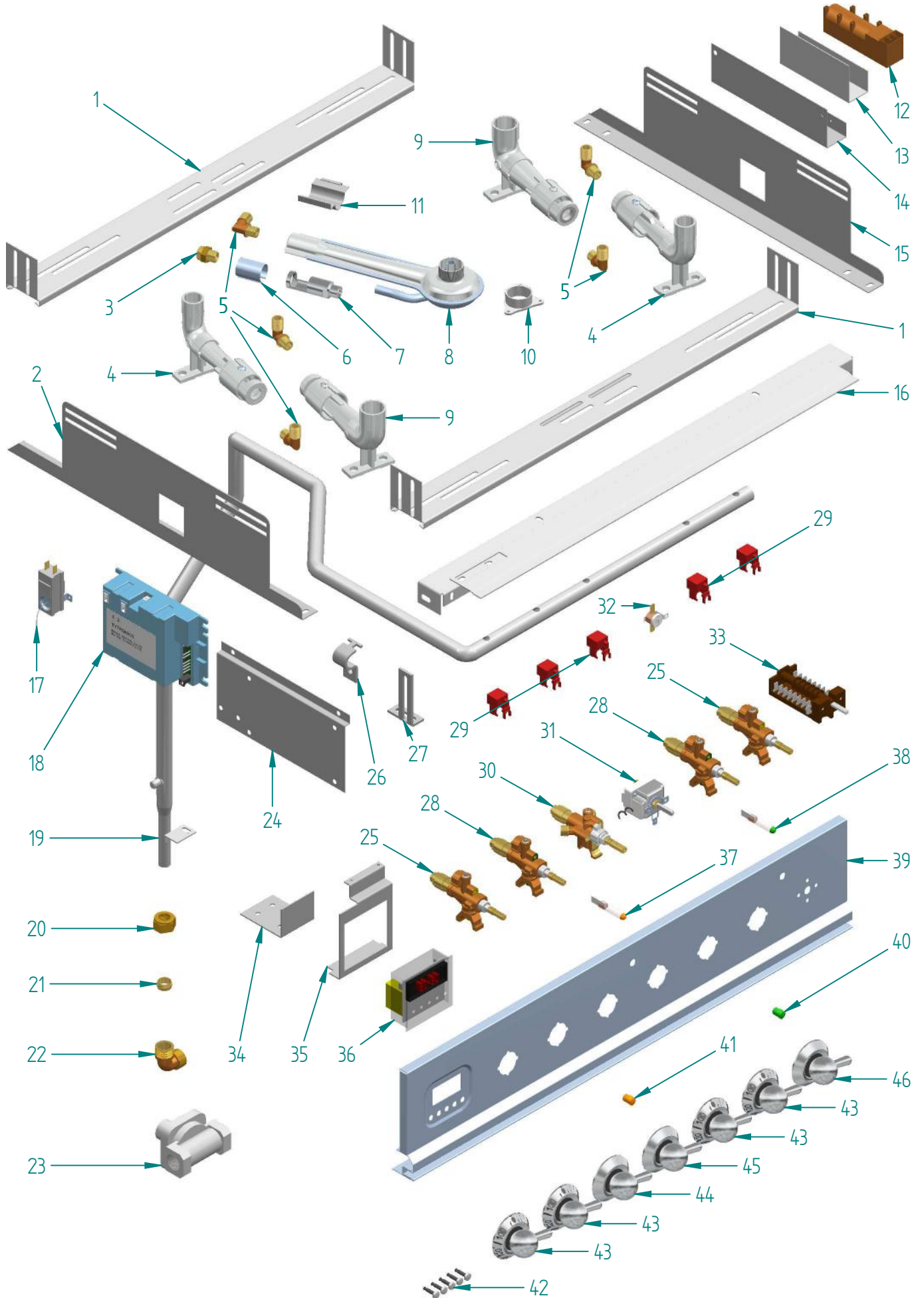


<i>dis.</i>	<i>cod.</i>	<i>descrizione</i>	<i>description</i>
1	KBR013	KIT BRUC TRIPLA CORONA DUAL	COMPLETE DUAL TR RING BURNER
2	KBR003	KIT BRUC RAP PIANO/CUC PROF 2 FORI	COMPLETE RAPID BURNER (2 HOLES)
3	KBR004	KIT BRUC SEM RAP PIA/CUC PRO 2 FORI	COMPLETE SMALL RAPID BURN (2 HOLES)
4	S/002/38	ALZATINA CUCINA USA P76 G-GAS INOX	SPLASHBACK FOR UP76 GAS / ST.ST.
5	S/232/45	SQUADRETTA FERMA CUCINA	BRACKET
6	A/062/35	DADO ES CIECO M4 CH 10 PIA P76 INOX	
7	A/095/12/10	GRIGLIA GHISA CUC P76 2 FUOCHI VETR	P76 2 BURNERS CAST IRON PAN SUPPORT
8	A/095/13/10	GRIGLIA GHISA CENTR P76 VETR	PW76 MIDDLE CAST IRON PAN SUPPORT
9	A/092/52	RIDUZIONE FUOCHI FILO CROMATO	RING ADAPTER GRILL
10	A/048/06/10	COPRISPART PICCOLO (S1) RAF MAT 3F	SMALL FLAME DIFFUSER COVER
11	A/478/12/92	SPARTIFIAMMA PICCOLO	NEW SMALL FLAME DIFFUSER
12	A/488/11/93	TAZZINA P C PICCOLA (2 FORI)	HOB COOKER SMALL CUP+IGN+S.V. HOLES
13	A/490/17	TERMOCOPPIA BIFIL 70CM M8X1	THERMOCOUPLE 70
14	A/018/06	CANDELA ACC.(CAVO=MM800 H=MM28)	IGNITION PLUG MM 800
15	A/048/02/10	COPRISPART GRANDE (S2) RAF MAT 3F	LARGE FLAME DIFFUSER COVER
16	A/478/12/90	SPARTIFIAMMA GRANDE	NEW LARGE FLAME DIFFUSER
17	A/488/11/91	TAZZINA P C GRANDE (2 FORI)	HOB COOKER LARGE CUP+IGN+S.V. HOLES
18	A/490/03	TERMOCOPPIA BIFIL 45CM M8X1	THERMOCOUPLE 45
19	A/048/07/10	COPRISPART TC AUX RAF MAT 3F	TRIPLE RING BURNER SMALL COVER
20	A/478/17	SPARTIFIAMMA TC AUSILIARIO +INDEX	TR RING SMALL FLAME DIVIDER (INDEX)
21	A/048/09/10	COPRISPART TC GR 1V/DUAL RAF MAT 3F	TRIPLE RING FLAME DIVIDER COVER
22	A/478/21	SPARTIFIAMMA TC GRANDE 1 V/DUAL +P	DUAL TRIPLE RING BIG FLAME DIVIDER WITH SUPPORTS
23	A/488/24	TAZZINA TC DUAL	TRIPLER RING CUP+IGN+S.V. HOLES
24	S/091/09	DISCO PROTEZIONE TC H60/70/90-HP65R	ENAMELED RING
25	A/018/04	CANDELA ACC.(CAVO=MM600 H=MM28)	IGNITION PLUG MM 600
26	A/490/18	TERMOCOPPIA BIFIL DUAL 95CM M8X1	THERMOCOUPLE 95 DUAL BURNER
27	A/018/02	CANDELA ACC.(CAVO=MM400 H=MM28)	IGNITION PLUG MM 400
28	S/180/24/08	PIANO CUC P76 TC CENTR INOX	P76 ST ST TOP
29	A/116/27/08	MAN/CORRIM CROMO MAJEST D=22 I=625	MAJESTIC CHROME HANDLE D=22 I=625

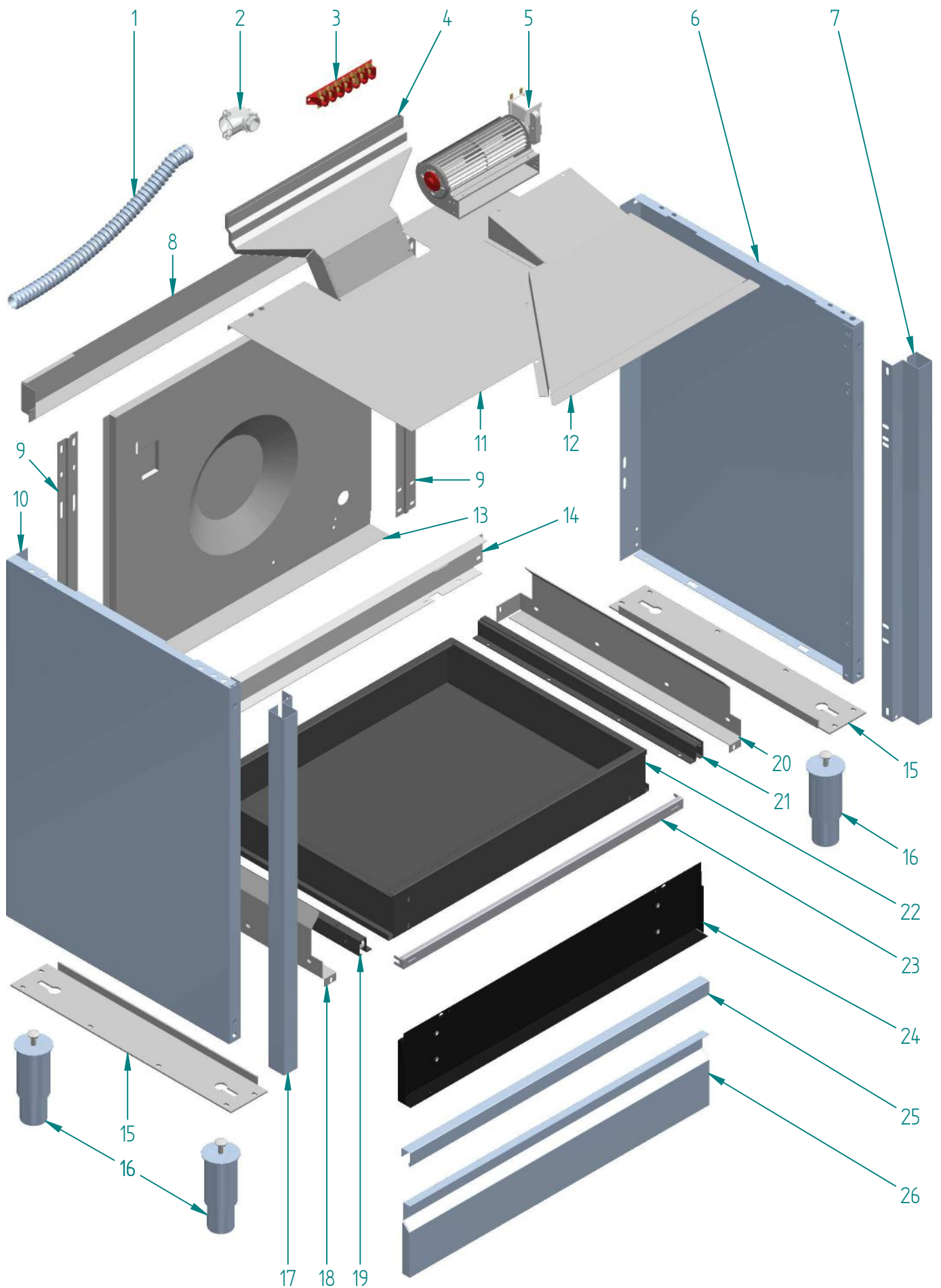
%{Titolo

UPN76DVGG

02/10/2012



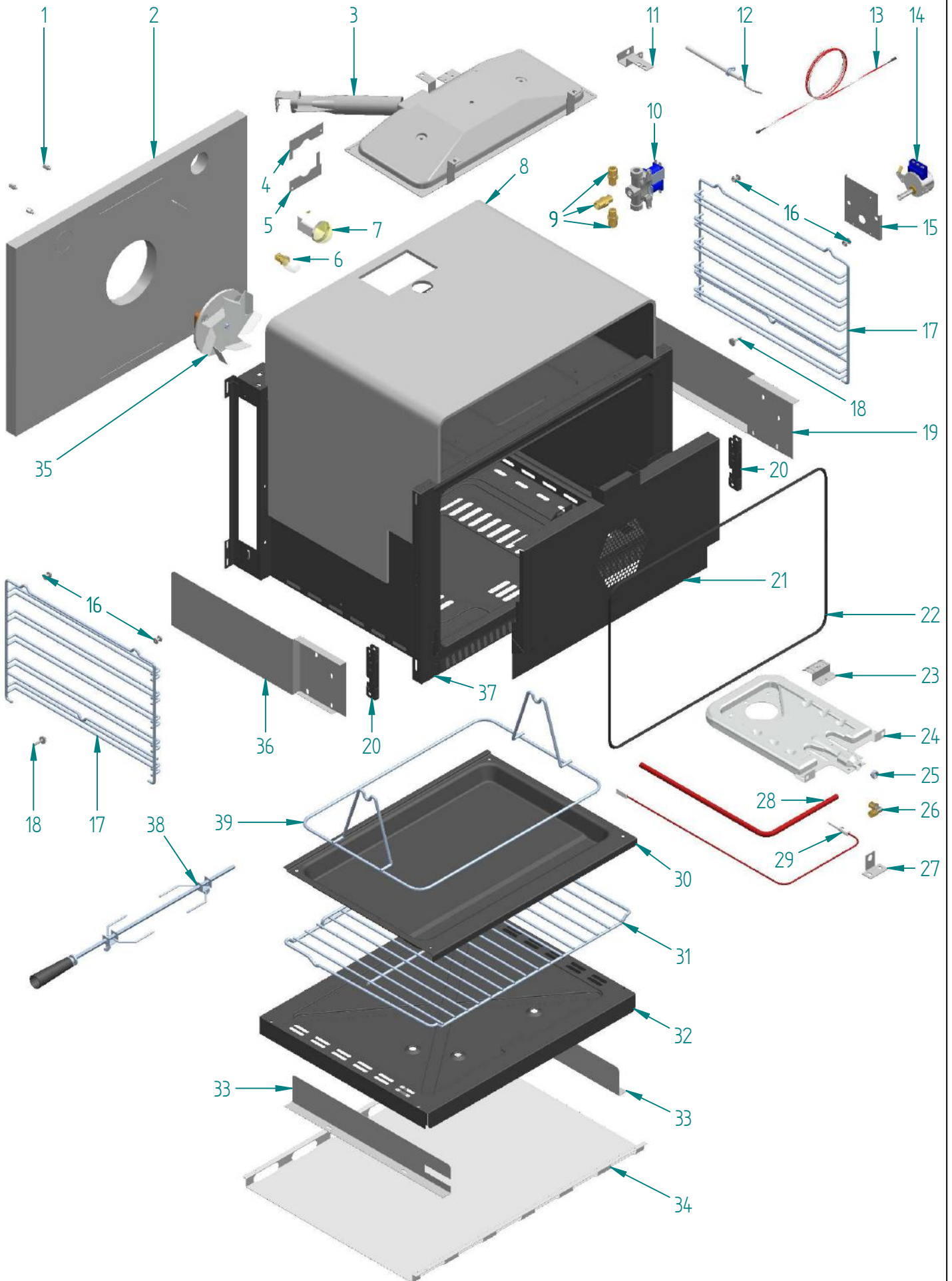
<i>dis.</i>	<i>cod.</i>	<i>descrizione</i>	<i>description</i>
1	S/151/40	LISTELLO PORTABR P76	CONTROL BOARD ANCH STRIP FOR P76
2	S/128/90	LATERALE PORTABR CUC PROFESS SX	LEFT SIDE BURNER HOLDER
3	A/434/06	PORTAINIETT BRUC AUX DUAL	DUAL BURNER INJECTOR HOLDER
4	A/014/12/91	BRUCIATORE PIPA PICCOLO (H=94)	SMALL BURNER (H=94)
5	A/434/04	PORTAINIETT A GOMITO GRILL/FUOCHI	INJECTOR HOLDER GRILL/COOKTOP
6	A/066/10	FARFALLA REG BRUCIAT AUX DUAL	DUAL BURNER REGUL VALVE
7	A/014/23	BRUCIATORE (VENTURI) AUX DUAL	SMALL DUAL BURNER
8	A/014/22	BRUCIATORE SOGLIOLA TC DUAL COMPL	DUAL BURNER
9	A/014/12/90	BRUCIATORE PIPA GRANDE (H=94)	BIG BURNER (H=94)
10	A/082/30	GHIERA AL 28X12 (GRANDE)	BIG BURNER RING
11	S/096/00	FARFALLA REG ARIA BRUC SOGLIOLA	BURNER AIR REG. BUTTERFLY VALVE
12	A/494/27	TRASFORMATORE ACC EL 6 FUOCHI UL	6 WAYS IGN TRANSFORMER
13	A/024/12	CARTONCINO ISOL NOMEX TRASF 6FUOCHI	NOMEX INSULATING CARD FOR IGNITION TRANSFORMER 6 BURNE
14	S/236/77	SUPPORTO TRASF ACC CUC PROFESSIONAL	EL. IGN. TRANSFORMER HOLDER FOR PROFESSIONAL COOKER
15	S/128/91	LATERALE PORTABR CUC PROFESS DX	RIGHT SIDE BURNER HOLDER
16	S/151/39	LISTELLO FERMACRU CUC P76	STRIP
17	A/492/34	TERMOSTATO SIC FO EL STAT UL RIARMO AUTOMATICO TAR/	SAFETY THERMOSTAT
18	A/029/00	CENTRALINA CONTR FO GAS 120V 2 USC	GAS OVEN CONTROL UNIT
19	A/453/09	RAMPA CUC 5 FORI +1 P76	RAMP FOR P76
20	A/062/20	DADO 1/2 D.14 RACCORDO PORTAGOMMA A/415/11 935002022	NUT HOSETAIL S.436/4
21	A/004/04	BICONO 14MM RACCORDO PORTAGOMMA S135 944000016	HOSE NUT
22	A/452/04	RACC CURVO PORTAG (SIRAL) 1/2" PO-04 D.14 OT 9360000070	HOSETAIL COUPLING (SIRAL)
23	A/437/00	STABILIZZATORE PRESSIONE CSA	PRESSURE GAS REGULATOR
24	S/237/54	SUPPORTO CENTRALINA FORNO GAS USA	HOLDER
25	A/466/57	RUB ALLOG MICRO CUC VALV (32) SR	VALVE + S.V.
26	S/004/02	BRIGLIA RAMPA FORNO ELZN	OVEN RAMP CLAMP
27	S/232/63	SQUADRETTA FERMAR CU/FO 30/10 ZN CHMUFF CH	SMALL STOP RAMP CLAMP FOR OVENS AND COOKERS
28	A/466/43	RUB ALLOG MICRO CUC VALV (40)R-SR	VALVE + S.V.
29	A/401/14	MICROINT ACC RUB SABAF CUC	IGNITION SWITCH
30	A/466/61	RUB ALLOG MICRO CUC VALV DUAL TC	DUAL VALVE + S.V.
31	A/492/03	TERMOSTATO ELETTR FO GAS UL/CSA 55.19053.010	GAS OVEN ELECTRIC THERMOSTAT
32	A/492/37	TERMOREG SIC NA 50°C UL	SAFETY THERMOSTAT UL
33	A/034/04	COMMUT FORNO ELETTRICO	ELECTRIC OVEN SWITCH
34	S/232/33	SQUADRETTA BLOCC PR/CON CUC MUF RIB	BRACKET
35	S/236/63	SUPPORTO PROGR EL145 (5 TASTI) CUC	PROGRAMMER HOLDER (EL145) FOR COOKER
36	A/036/17	CONTAM ELETTR EL2000 USA 120V 60HZ	TIMER EL2000 UL
37	A/106/31	LAMPADA SPIA D.10 FAST 110 UL	LAMP
38	A/106/32	LAMPADA SPIA D.10 FLUOR 110 UL	LAMP
39	S/086/85/00	CRUSCOTTO CUC P76 (5 T) BIANCO	CONTROL BOARD / WHITE
39	S/086/85/01	CRUSCOTTO CUC P76 (5 T) BIAN ANT	CONTROL BOARD / OLD WHITE
39	S/086/85/08	CRUSCOTTO CUC P76 (5T) INOX	CONTROL BOARD P76 / ST ST
39	S/086/85/10	CRUSCOTTO CUC P76 (5 T) MAT	CONTROL BOARD / MATT
39	S/086/85/52	CRUSCOTTO CUC P76 (5 T) ROSSO BORG	CONTROL BOARD / BURGUNDY
39	S/086/85/54	CRUSCOTTO CUC P76 (5 T) BLU NOTTE	CONTROL BOARD / MIDN BLUE
40	A/080/12	GEMMA SPIA D.10 VERDE INCASTRO	GREEN WARNING LIGHT FOR SWITCH
41	A/080/11	GEMMA SPIA D.10 ARANCIO INCASTRO	ORANGE WARNING LIGHT FOR SWITCH
42	A/491/03	TASTO PROGR EL145/EL2000 METAL T1/2T=10 G=14,5	PROGRAMMER BUTTON / ST ST COLOUR
43	G/340/10/08	MANOPOLA MAJ GAS CUCINA NERO-CRO	GAS KNOB FOR MAJ COOKER / CHROME
44	G/353/10/08	MANOPOLA MAJ GAS CUC DUAL NERO-CRO	DUAL GAS KNOB FOR MAJ COOK/CHR
45	G/373/10/08	MANOPOLA MAJ TERM EL FO VG UL CROMO	GAS THERM KNOB MAJ-T / CHR
46	G/315/10/08	MANOPOLA MAJ COMM VGG EL.NICO IN-CR	VGG SELEC KNOB MAJ-T COOKER / CHR



<i>dis.</i>	<i>cod.</i>	<i>descrizione</i>	<i>description</i>
1	A/498/12	TUBO FLEX PROTEZIONE CAVI (3/4) UL	CONDUIT
2	A/452/06	RACCORDO TUBO FLEX 90° 3/4" UL/CSA	CONNECTOR
3	A/404/05	MORSETTIERA FV273/7 7 POLI+TERRA UL	TERMINAL BOARD FV273/7
4	S/008/35	CAMINETTO CUCINA USA PROFESS 90	PROFESSIONAL COOKER CHIMNEY
5	A/406/07	MOTOV TANG L=180 120V CLASSE H UL	COOLING FAN
6	S/128/41/00	LATERALE CUC PROFESS DX BIANCO	SIDE PANEL SX / WHITE
6	S/128/41/01	LATERALE CUC PROFESS DX BIANCO ANTICO	SIDE PANEL DX / OLD WHITE
6	S/128/41/08	LATERALE CUC PROFESS DX INOX	SIDE PANEL DX / ST ST
6	S/128/41/10	LATERALE CUC PROFESS DX MAT	SIDE PANEL DX / MATT
6	S/128/41/52	LATERALE CUC PROFESS DX ROSSO BORGOGNA	SIDE PANEL DX / BURGUNDY
6	S/128/41/54	LATERALE CUC PROFESS DX BLU NOT TE	SIDE PANEL DX / MIDN BLUE
7	S/210/64/00	PROFILO CUC P120 DX BIANCO	PROFILE FOR P120 DX / WHITE
7	S/210/64/01	PROFILO CUC P120 DX BIANCO ANT	PROFILE FOR P120 DX / OLD WHITE
7	S/210/64/08	PROFILO CUC P120 DX INOX	PROFILE FOR P120 DX / ST.ST.
7	S/210/64/10	PROFILO CUC P120 DX MAT	PROFILE FOR P120 DX / MATT
7	S/210/64/52	PROFILO CUC P120 DX ROSSO BORGOG NA	PROFILE FOR P120 DX / BURGUNDY
7	S/210/64/54	PROFILO CUC P120 DX BLU NOTTE	PROFILE FOR P120 DX / MIDNIGHT BLUE
8	S/212/68	PROLUNGA COPRISCH P76 G-GAS USA	BACK EXTENSION FOR 76CM. GAS COOKER
9	S/212/07	PROLUNGA LAT POST P120-P76	SIDE BACK EXTENTION FOR P120
10	S/128/42/00	LATERALE CUC PROFESS SX BIANCO	SIDE PANEL SX / WHITE
10	S/128/42/01	LATERALE CUC PROFESS SX BIANCO ANTICO	SIDE PANEL SX / OLD WH
10	S/128/42/08	LATERALE CUC PROFESS SX INOX	SIDE PANEL SX / ST ST
10	S/128/42/10	LATERALE CUC PROFESS SX MAT	SIDE PANEL SX / MATT
10	S/128/42/52	LATERALE CUC PROFESS SX ROSSO BORGOGNA	SIDE PANEL SX / BURGUNDY
10	S/128/42/54	LATERALE CUC PROFESS SX BLU NOT TE	SIDE PANEL SX / MIDN BLUE
11	S/172/65	PARACALORE CUC 70 GAS USA	HEAT SHIELD FOR 70CM COOK GAS USA
12	S/024/79	CONV CUC P76 VG/VGG USA MUFF RIB	AIR CONVEYER FOR P76 COOKER
13	S/036/00/05	COPRISCH CUC USA APP 76 G-GAS	BACK COVER UL
14	S/151/41	LISTELLO FERMACUC P76 POST INF	STRIP
15	S/234/12	STAFFA PER PIEDINI PD90/P120/P150 DX-SX	FEET STIRRUP FOR P90-P120-P150
16	A/422/13	PIEDINO REGISTRABILE H 100-160	ADJUSTABLE FOOT H 100-160
17	S/210/65/00	PROFILO CUC P120 SX BIANCO	PROFILE FOR P120 SX / WHITE
17	S/210/65/01	PROFILO CUC P120 SX BIANCO ANT	PROFILE FOR P120 SX / OLD WH
17	S/210/65/08	PROFILO CUC P120 SX INOX	PROFILE FOR P120 SX / ST.ST.
17	S/210/65/10	PROFILO CUC P120 SX MAT	PROFILE FOR P120 SX / MATT
17	S/210/65/52	PROFILO CUC P120 SX ROSSO BORGOG NA	PROFILE FOR P120 SX / BURGUNDY
17	S/210/65/54	PROFILO CUC P120 SX BLU NOTTE	PROFILE FOR P120 SX / MIDNIGHT BLUE
18	S/149/72	LISTELLO PORTAG CASS QUADRA SX	LEFT STRIP
19	A/096/11	GUIDA INF/SUP SX CASS PC96 L=500	DROWER GUIDE
20	S/149/71	LISTELLO PORTAG CASS QUADRA DX	RIGHT STRIP
21	A/096/10	GUIDA INF/SUP DX CASS PC96 L=500	DROWER GUIDE
22	S/012/26/10	CASSETTO CUC P76 MAT	P76 FOOD WARMER DRAWER
23	S/151/42	LISTELLO FERMACUC P76 PL ANT INF	STRIP
24	S/022/41	CONTROPORTA SCALDAV/CASS P76	P76 INSIDE DRAWER FRONT
25	S/150/12/00	MANIGLIONE PO SCA/CASS P76 BIANCO	HANDLE FOR FOOD WARMER (P76) / WHITE
25	S/150/12/01	MANIGLIONE PO SCA/CASS P76 BI ANT	HANDLE FOR FOOD WARMER (P76) / OLD WHITE
25	S/150/12/08	MANIGLIONE PO SCA/CASS P76 INOX	HANDLE FOR FOOD WARMER (P90)/ST.ST
25	S/150/12/10	MANIGLIONE PO SCA/CASS P76 MAT	HANDLE FOR FOOD WARMER (P76) / MAT
25	S/150/12/52	MANIGLIONE PO SCA/CASS P76 ROSSO BO	HANDLE FOR FOOD WARMER (P76) / BURG
25	S/150/12/54	MANIGLIONE PO SCA/CASS P76 BLU	HANDLE FOR FOOD WARMER (P76) / BLUE
26	S/196/21/00	PORTA SCALDAV/CASS P76 BIANCO	FOOD WARMER DOOR FOR P76 / WHITE
26	S/196/21/01	PORTA SCALDAV/CASS P76 BIANCO ANT	FOOD WARMER DOOR FOR P76 / OLD WH
26	S/196/21/08	PORTA SCALDAV/CASS P76 INOX	FOOD WARMER DOOR FOR P76 / ST.ST.
26	S/196/21/10	PORTA SCALDAV/CASS P76 MAT	FOOD WARMER DOOR FOR P76 / MAT
26	S/196/21/52	PORTA SCALDAV/CASS P76 ROSSO BORG	FOOD WARMER DOOR FOR P76 / BURG
26	S/196/21/54	PORTA SCALDAV/CASS P76 BLU	FOOD WARMER DOOR FOR P76/MIDN BLUE

UPN76DVGG

02/10/2012



<i>dis.</i>	<i>cod.</i>	<i>descrizione</i>	<i>description</i>
1	A/602/05	VITE FISS MOTORE RADIALE	SCREEW
2	A/108/23	LANA DI VETRO SCHIENA FORNO 70 MULTAGU 80/20	FIBERGLASS OVEN BACK 70 MULT
3	S/006/29	BRUCIATORE GRILL INFRAR 70/90 USA	60 GRILL BURNER
4	S/031/25	COPRIFORO BR GRILL MUFF VGG USA SUP	HOLE COVER
5	S/031/24	COPRIFORO BR GRILL MUFF VGG USA INF	HOLE COVER
6	A/106/00	LAMPADA FORNO 110V	OVEN LIGHT 110V
7	A/436/02	PORTAL+LAMPADA 110V	OVEN LAMP HOLDER
8	A/108/25	LANA DI VETRO MANTELLO 700	FIBERGLASS MANTLE 700
9	A/452/11	RACCORDO OT ELETTOV FORNO GAS USA	ELECTRIC VALVE CONNECTOR
10	A/499/09	ELETTOVALV 2 USCITE 10V GG UL-CSA	VALVE
11	S/237/82	SUPPORTO CANDELETTA GRILL INFR USA	
12	A/018/23	CANDELA BRUC GRILL USA SENZA CAVO	GAS OVEN PLUG m/m 1400
13	A/026/42	CAVO CANDELA GRILL INFRARED USA	CABLE
14	A/406/03/02	MOTORID GIRARR (UL) 120V 60HZ	SPIT GEARED MOTOR 110V
15	S/236/98	SUPPORTO MOTORIDUTTORE	SPIT GERED MOTOR HOLDER SUPPORT
16	A/482/12	SUPPORTO GRIGLIA LAT. (FORNO)	GRILL SIDE SUPPORT (OVEN)
17	A/092/43	GRIGLIA LAT FORNO MUFF CHIUSA 5 COR	OVEN SIDE GRILL
18	A/602/03	VITE ZIGR FERMAGR LAT MUFF CHIUSA	KNURLED SCREW SIDE GRILLS STOPPING
19	S/108/08	FERMA LANA DI VETRO DX 2002	FIBER GLASS STOP
20	A/468/04	RULLINO+PORTARULL CERN TN (FARING)	RULLER
21	S/038/10	COPRIVENTOLA 700 VG SMALT NERO	FAN COVER 700 VG
22	A/094/78	GUARN MUFF MATR 09154/A 700 CHIUSA	700 OVEN GASKET
23	A/482/28	SUPP BRUC FORNO VG H=17,5 2359481	OVEN BURNER HOLDER
24	A/014/06	BRUCIATORE FORNO 900	OVEN BURNER
25	A/062/32	DADO DIS 247 FISSAGGIO BRUC FORNO	NUT DWG. 247 FIX OVEN BURNER
26	A/434/02	PORTAINIETT A GOMITO BRUC FORNO	INJECTOR HOLDER OVEN BURNER
27	S/236/14	SUPPORTO PORTAINIETTORE FORNI VG	INJECTOR HOLDER SUPPORT
28	A/091/00	GUAINA CALZAVETRO D=7MM	
29	A/018/22	CANDELA BRUC FORNO CAVO=MM1750	GAS OVEN PLUG m/m 1750
30	S/146/20	LECCARDA 70 NERO	ENAMELLED DRIPPING PAN 70
31	A/095/28	GRIGLIA FORNO 70 RINFORZATA USA	OVEN GRILL 70
32	S/230/17	SOTTOFORNO 70 VG NERO	OVEN BOTTOM FOR 700VG
33	S/091/04	DEFLETTORE FONDO MUFFOLA VG	
34	S/228/10	SOTTOFONDO 700 VG USA	GAS OVEN BOTTOM 700 UL
35	G/406/23	MOTOVENTILATORE COMPL 120V 60HZ UL	COMPLETE FAN 120V
36	S/108/09	FERMA LANA DI VETRO SX 2002	FIBER GLASS STOP
37	S/162/41/14	MUFFOLA 70 G-GAS INFRARED USA SMALT	70 CM OVEN MUFFLE
38	A/480/01	SPIEDO FORNO 700 TRASV L=478MM	TRANSVERSE SPIT 700
39	A/482/39	SUPP GIRAR FORNO/CUCINA 70	SPIT SUPPORT 70

%Titolo