

**ILVE S.p.a.**

UP\_76DMP

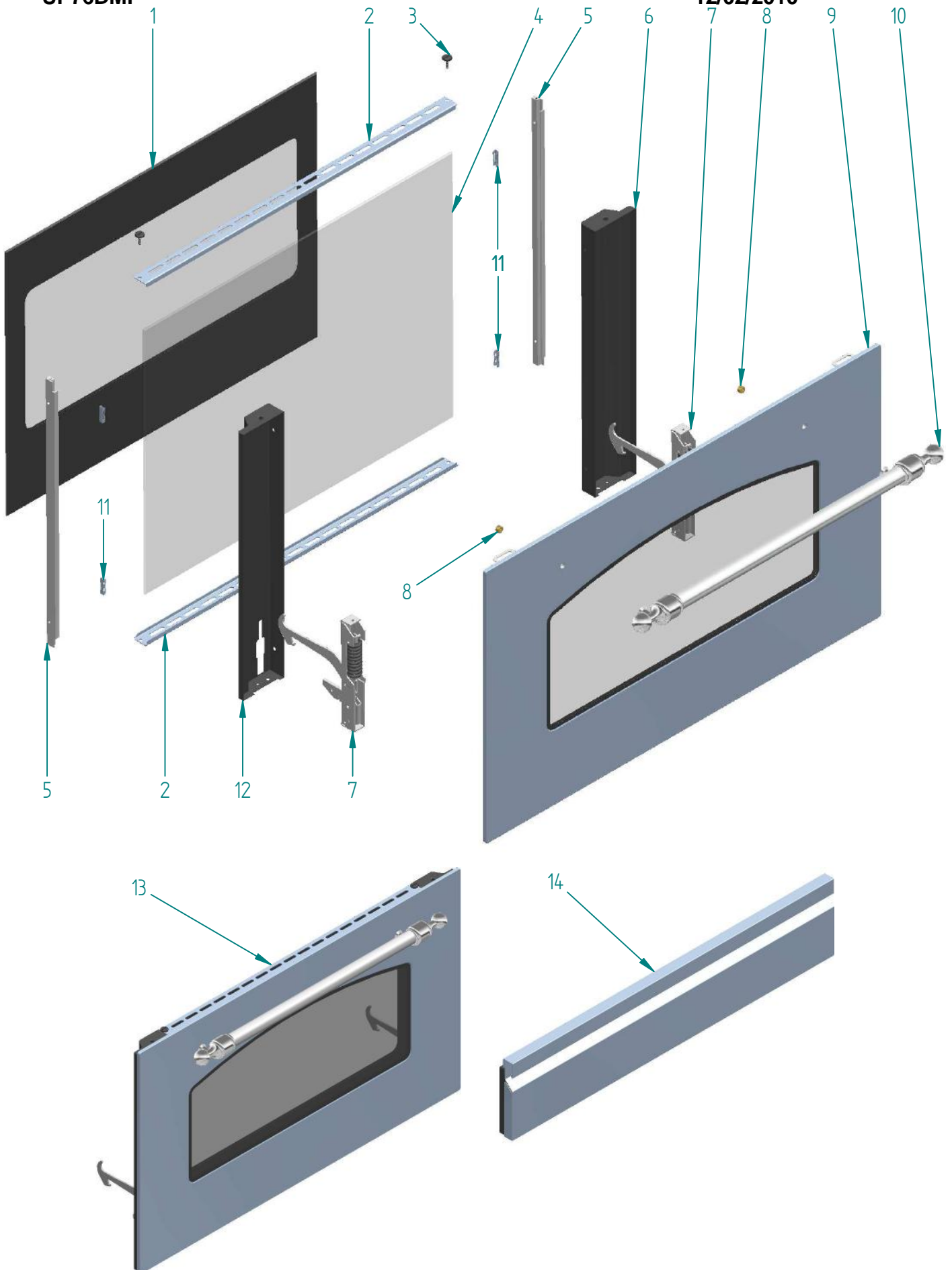
UP76DMP

12/02/2010



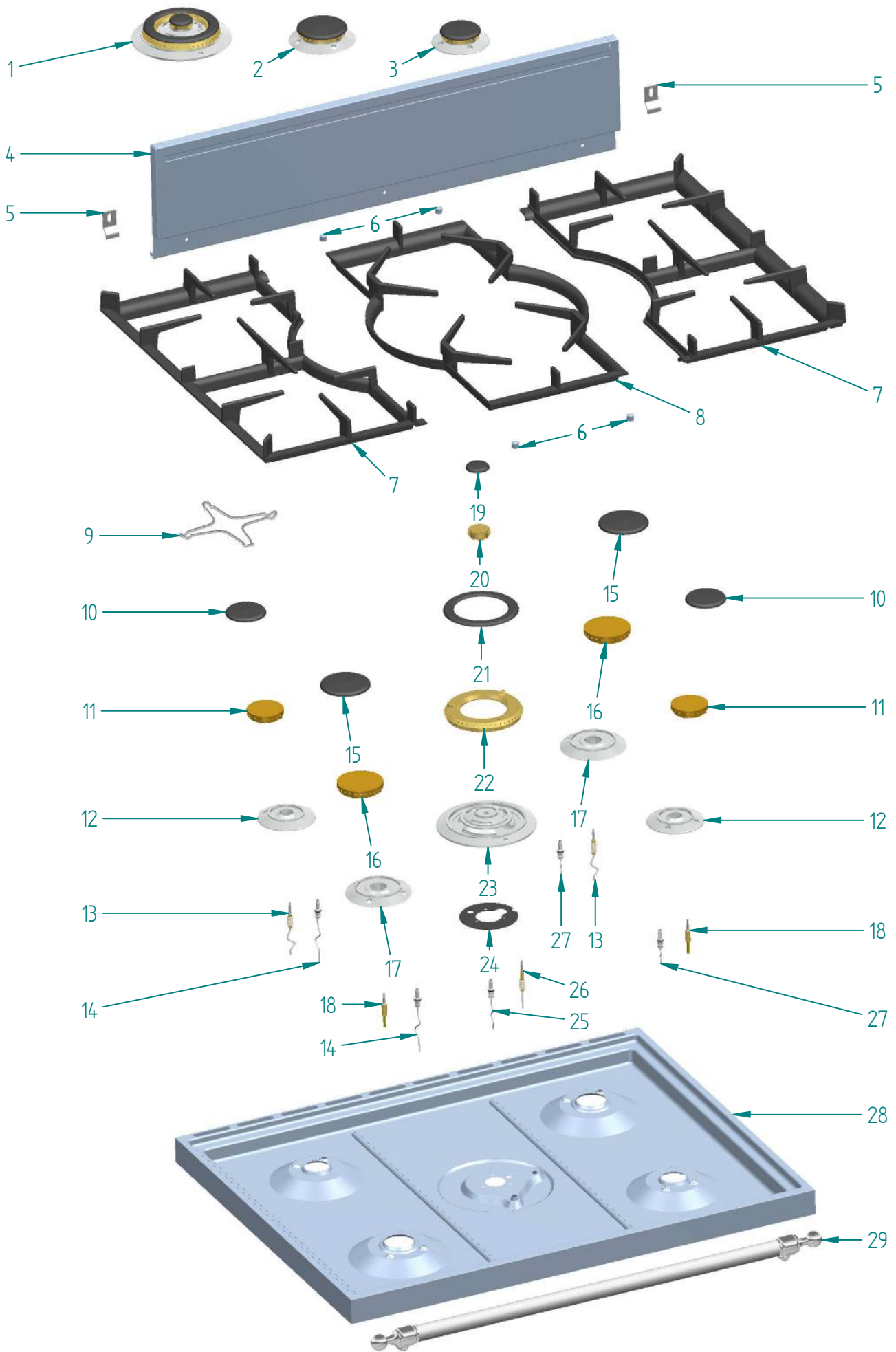
UP76DMP

12/02/2010



| <i>dis.</i> | <i>cod.</i>  | <i>descrizione</i>                      | <i>description</i>                               |
|-------------|--------------|---|--|
| 1           | A/504/84/96  | VETRO INTERNO PORTA 70 TR VETRO         | INSIDE 70CM DOOR GLASS                           |
| 2           | S/120/13/08  | FERMAVETRO PO 70 TR VETRO USA INOX      | GLASS STOP                                       |
| 3           | A/602/02     | VITE ZIGR FERMAV/FERMAGR LAT FORNO      | KNURLED SCREW FOR HOLDING GLASS /SIDE GRILLS FO. |
| 4           | A/504/84/97  | VETRO INTERM PORTA 70 TR VETRO          | INTERMEDIATE 70CM DOOR GLASS                     |
| 5           | A/445/23     | PROFILO GUIDA TRIPLO VETRO PORTA        | PROFILE  |
| 6           | S/022/28/14  | CONTROPORTA FO 600/800 LAT DX NERO      | RIGHT INSIDE DOOR FOR 60/80 OVEN                 |
| 7           | A/028/45     | CERNIERA POR FO 90 3V (FARINGOSI)       | 3 GLASSES 90CM OVEN DOOR HINGE                   |
| 8           | A/065/00     | DISTANZIALE OT H=5,5 MANIGLIA POR TA    | BRASS SPACER FOR HANDLE                          |
| 9           | G/505/71/00  | VETRO+PO 700N 3V BIANCO                 | 700N DOOR GLASS / WHITE                          |
| 9           | G/505/71/01  | VETRO+PO 700N 3V BIAN ANT               | 700N DOOR GLASS / OLD WHITE                      |
| 9           | G/505/71/08  | VETRO+PO 700N 3V INOX                   | 700N DOOR GLASS / ST ST                          |
| 9           | G/505/71/10  | VETRO+PO 700N 3V MAT                    | 700N DOOR GLASS / MATT                           |
| 9           | G/505/71/52  | VETRO+PO 700N 3V ROSSO BORG             | 700N DOOR GLASS / BURGUNDY                       |
| 9           | G/505/71/54  | VETRO+PO 700N 3V BLU                    | 700N DOOR GLASS / MIDN BLUE                      |
| 10          | A/116/26/08  | MAN/CORRIM CROMO MAJEST D=22 l=420      | CHROME HANDLE MAJESTIC D=22 l=420                |
| 11          | A/402/13     | MOLLA (CLIP FISSAGGIO) VETRO INTERMEDIO | SPRING   |
| 12          | S/022/29/14  | CONTROPORTA FO 600/800 LAT SX NERO      | LEFT INSIDE DOOR FOR 60/80 OVEN                  |
| 13          | UG/820/00/08 | PORTA COMPL 3V UPN76 BIANCO-CRO         | TRIPLE GLASS 70 CM DOOR / WHITE-CHR              |
| 13          | UG/820/01/08 | PORTA COMPL 3V UPN76 BI ANT-CRO         | TRIPLE GLASS 70 CM DOOR/OLD WH-CHR               |
| 13          | UG/820/08/08 | PORTA COMPL 3V UPN76 INOX-CRO           | TRIPLE GLASS 70 CM DOOR / ST ST-CHR              |
| 13          | UG/820/10/08 | PORTA COMPL 3V UPN76 MAT-CRO            | TRIPLE GLASS 70 CM DOOR/MATT-CHR                 |
| 13          | UG/820/52/08 | PORTA COMPL 3V UPN76 ROSSO BOR-CRO      | TRIPLE GLASS 70 CM DOOR/BURG-CHR                 |
| 13          | UG/820/54/08 | PORTA COMPL 3V UPN76 BLU N-CRO          | TRIPLE GLASS 70 CM DOOR/MIDN BL-CHR              |
| 14          | G/125/00     | FRONTALE COMPL CASS P76 PLUS BIANCO     | P76 PLUS DRAWER FRONT / WHITE                    |
| 14          | G/125/01     | FRONTALE COMPL CASS P76 PLUS BI ANT     | P76 PLUS DRAWER FRONT / OLD WH                   |
| 14          | G/125/08     | FRONTALE COMPL CASS P76 PLUS INOX       | P76 PLUS DRAWER FRONT / ST ST                    |
| 14          | G/125/10     | FRONTALE COMPL CASS P76 PLUS MAT        | P76 PLUS DRAWER FRONT / MATT                     |
| 14          | G/125/52     | FRONTALE COMPL CASS P76 PLUS RO BOR     | P76 PLUS DRAWER FRONT / BURGUN                   |
| 14          | G/125/54     | FRONTALE COMPL CASS P76 PLUS BLU        | P76 PLUS DRAWER FRONT / MIDN BLUE                |

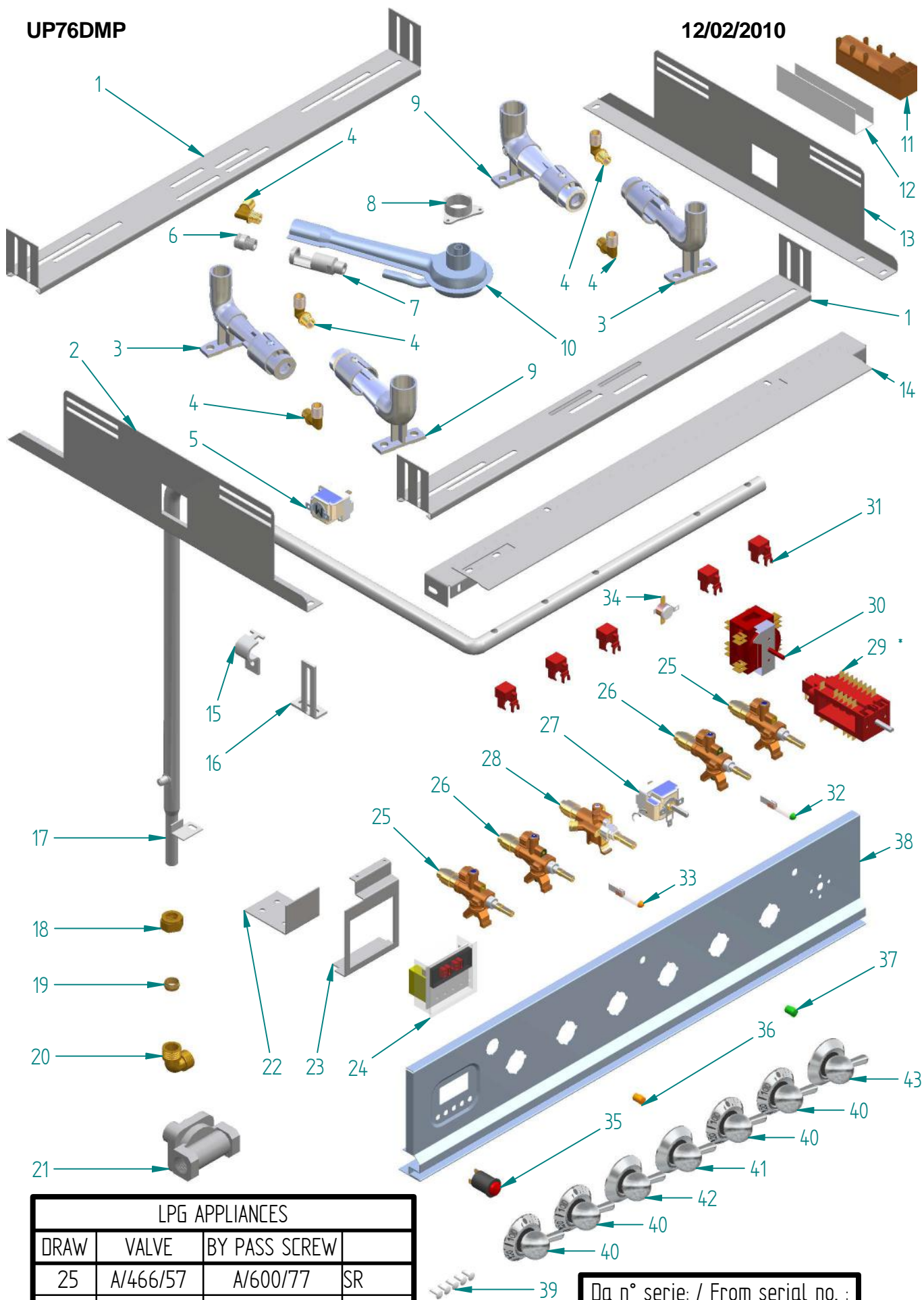
%{TitoloE



| <i>dis.</i> | <i>cod.</i> | <i>descrizione</i>                  | <i>description</i>                               |
|-------------|-------------|-------------------------------------|--|
| 1           | KBR013      | KIT BRUC TRIPLA CORONA DUAL         | COMPLETE DUAL TR RING BURNER                     |
| 2           | KBR003      | KIT BRUC RAP PIANO/CUC PROF 2 FORI  | COMPLETE RAPID BURNER (2 HOLES)                  |
| 3           | KBR004      | KIT BRUC SEM RAP PIA/CUC PRO 2 FORI | COMPLETE SMALL RAPID BURN (2 HOLES)              |
| 4           | S/002/38    | ALZATINA CUCINA USA P76 G-GAS INOX  | SPLASHBACK FOR UP76 GAS / ST.ST.                 |
| 5           | S/232/45    | SQUADRETTA FERMA CUCINA             | BRACKET  |
| 6           | A/062/35    | DADO ES CIECO M4 CH 10 PIA P76 INOX |  |
| 7           | A/095/12/10 | GRIGLIA GHISA CUC P76 2 FUOCHI VETR | P76 2 BURNERS CAST IRON PAN SUPPORT              |
| 8           | A/095/13/10 | GRIGLIA GHISA CENTR P76 VETR        | PW76 MIDDLE CAST IRON PAN SUPPORT                |
| 9           | A/092/52    | RIDUZIONE FUOCHI FILO CROMATO       | RING ADAPTER GRILL                               |
| 10          | A/048/06/10 | COPRISPART PICCOLO (S1) RAF MAT 3F  | SMALL FLAME DIFFUSER COVER                       |
| 11          | A/478/12/92 | SPARTIFIAMMA PICCOLO                | NEW SMALL FLAME DIFFUSER                         |
| 12          | A/488/11/93 | TAZZINA P C PICCOLA (2 FORI)        | HOB COOKER SMALL CUP+IGN+S.V. HOLES              |
| 13          | A/490/17    | TERMOCOPPIA BIFIL 70CM M8X1         | THERMOCOUPLE 70                                  |
| 14          | A/018/06    | CANDELA ACC.(CAVO=MM800 H=MM28)     | IGNITION PLUG MM 800                             |
| 15          | A/048/02/10 | COPRISPART GRANDE (S2) RAF MAT 3F   | LARGE FLAME DIFFUSER COVER                       |
| 16          | A/478/12/90 | SPARTIFIAMMA GRANDE                 | NEW LARGE FLAME DIFFUSER                         |
| 17          | A/488/11/91 | TAZZINA P C GRANDE (2 FORI)         | HOB COOKER LARGE CUP+IGN+S.V. HOLES              |
| 18          | A/490/03    | TERMOCOPPIA BIFIL 45CM M8X1         | THERMOCOUPLE 45                                  |
| 19          | A/048/07/10 | COPRISPART TC AUX RAF MAT 3F        | TRIPLE RING BURNER SMALL COVER                   |
| 20          | A/478/17    | SPARTIFIAMMA TC AUSILIARIO +INDEX   | TR RING SMALL FLAME DIVIDER (INDEX)              |
| 21          | A/048/09/10 | COPRISPART TC GR 1V/DUAL RAF MAT 3F | TRIPLE RING FLAME DIVIDER COVER                  |
| 22          | A/478/21    | SPARTIFIAMMA TC GRANDE 1 V/DUAL +P  | DUAL TRIPLE RING BIG FLAME DIVIDER WITH SUPPORTS |
| 23          | A/488/24    | TAZZINA TC DUAL                     | TRIPLER RING CUP+IGN+S.V. HOLES                  |
| 24          | S/091/09    | DISCO PROTEZIONE TC H60/70/90-HP65R | ENAMELED RING                                    |
| 25          | A/018/04    | CANDELA ACC.(CAVO=MM600 H=MM28)     | IGNITION PLUG MM 600                             |
| 26          | A/490/18    | TERMOCOPPIA BIFIL DUAL 95CM M8X1    | THERMOCOUPLE 95 DUAL BURNER                      |
| 27          | A/018/02    | CANDELA ACC.(CAVO=MM400 H=MM28)     | IGNITION PLUG MM 400                             |
| 28          | S/180/24/08 | PIANO CUC P76 TC CENTR INOX         | P76 ST ST TOP                                    |
| 29          | A/116/27/08 | MAN/CORRIM CROMO MAJEST D=22 I=625  | MAJESTIC CHROME HANDLE D=22 I=625                |

%{TitoloE



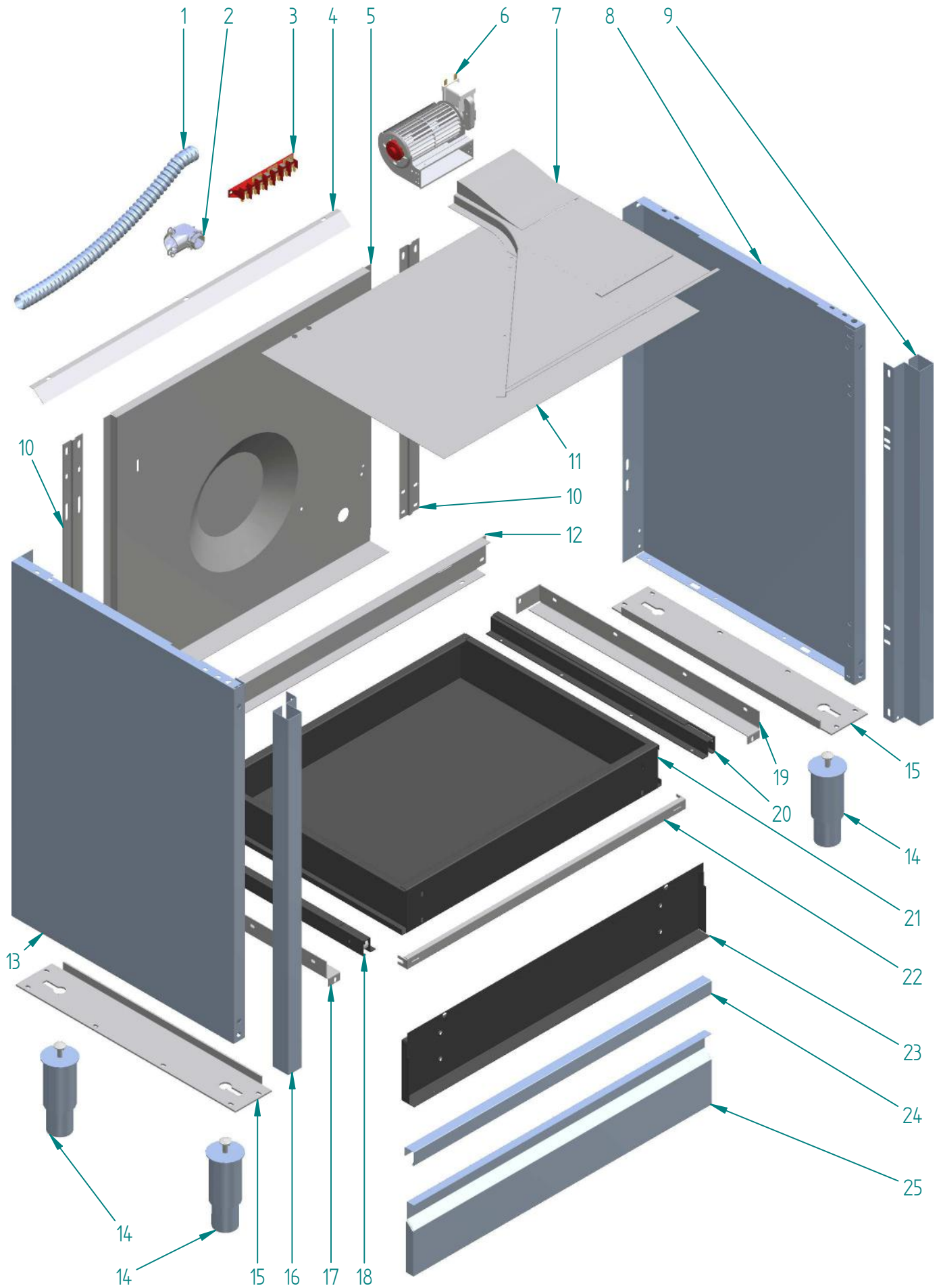


| LPG APPLIANCES |          |               |        |
|----------------|----------|---------------|--------|
| DRAW           | VALVE    | BY PASS SCREW |        |
| 25             | A/466/57 | A/600/77      | SR     |
| 26             | A/466/43 | A/600/78      | R-SR   |
| 28             | A/466/61 | A/600/83      | TC     |
| 28             | A/466/61 | A/600/80      | TC-AUX |

Da n° serie: / From serial no. :  
 29 \*      09440585

| <i>dis.</i> | <i>cod.</i> | <i>descrizione</i>                                      | <i>description</i>                                     |
|-------------|-------------|---|--|
| 1           | S/151/40    | LISTELLO PORTABR P76                                    | CONTROL BOARD ANCH STRIP FOR P76                       |
| 2           | S/128/90    | LATERALE PORTABR CUC PROFESS SX                         | LEFT SIDE BURNER HOLDER                                |
| 3           | A/014/12/91 | BRUCIATORE PIPA PICCOLO (H=94)                          | SMALL BURNER (H=94)                                    |
| 4           | A/434/04    | PORTAINIETT A GOMITO GRILL/FUOCHI                       | INJECTOR HOLDER GRILL/COOKTOP                          |
| 5           | A/492/35    | TERMOSTATO SIC FO EL MULT UL RIARMO AUTOMATICO TAR      | SAFETY THERMOSTAT                                      |
| 6           | A/434/06    | PORTAINIETT BRUC AUX DUAL                               | DUAL BURNER INJECTOR HOLDER                            |
| 7           | A/014/23    | BRUCIATORE (VENTURI) AUX DUAL                           | SMALL DUAL BURNER                                      |
| 8           | A/082/30    | GHIERA AL 28X12 (GRANDE)                                | BIG BURNER RING  |
| 9           | A/014/12/90 | BRUCIATORE PIPA GRANDE (H=94)                           | BIG BURNER (H=94)                                      |
| 10          | A/014/22    | BRUCIATORE SOGLIOLA TC DUAL COMPL                       | DUAL BURNER  |
| 11          | A/494/27    | TRASFORMATORE ACC EL 6 FUOCHI UL                        | 6 WAYS IGN TRANSFORMER                                 |
| 12          | A/024/12    | CARTONCINO ISOL NOMEX TRASF 6FUOCHI                     | NOMEX INSULATING CARD FOR IGNITION TRANSFORMER 6 BURNE |
| 13          | S/128/91    | LATERALE PORTABR CUC PROFESS DX                         | RIGHT SIDE BURNER HOLDER                               |
| 14          | S/151/39    | LISTELLO FERMACRU CUC P76                               | STRIP  |
| 15          | S/004/02    | BRIGLIA RAMPA FORNO ELZN                                | OVEN RAMP CLAMP  |
| 16          | S/232/63    | SQUADRETTA FERMAR CU/FO 30/10 ZN CHMUFF CH              | SMALL STOP RAMP CLAMP FOR OVENS AND COOKERS            |
| 17          | A/453/09    | RAMPA CUC 5 FORI +1 P76                                 | RAMP FOR P76   |
| 18          | A/062/20    | DADO 1/2 D.14 RACCORDO PORTAGOMMA A/415/11 935002022    | NUT HOSETAIL S.436/4                                   |
| 19          | A/004/04    | BICONO 14MM RACCORDO PORTAGOMMA S135 944000016          | HOSE NUT   |
| 20          | A/452/04    | RACC CURVO PORTAG (SIRAL) 1/2" PO-04 D.14 OT 9360000070 | HOSETAIL COUPLING (SIRAL)                              |
| 21          | A/437/00    | STABILIZZATORE PRESSIONE CSA                            | PRESSURE GAS REGULATOR                                 |
| 22          | S/232/33    | SQUADRETTA BLOCC PR/CON CUC MUF RIB                     | BRACKET  |
| 23          | S/236/63    | SUPPORTO PROGR EL145 (5 TASTI) CUC                      | PROGRAMMER HOLDER (EL145) FOR COOKER                   |
| 24          | A/446/42    | PROGR EL145 5T BIPO UL 50/60HZ 230V                     | ELETTRONIC PROGRAMMER EL145                            |
| 25          | A/466/57    | RUB ALLOG MICRO CUC VALV (32) SR                        | VALVE + S.V.   |
| 26          | A/466/43    | RUB ALLOG MICRO CUC VALV (40)R-SR                       | VALVE + S.V.   |
| 27          | A/492/06    | TERMOSTATO FORNO MULTIFUNZIONE                          | MULTIFUNCTION OVEN THERMOSTAT                          |
| 28          | A/466/61    | RUB ALLOG MICRO CUC VALV DUAL TC                        | DUAL VALVE + S.V.                                      |
| 29          | A/034/11    | COMMUT FORNO MULTIF+MICRO LUCI PUSHPASSO PASSO          | MULTIF OVEN SWITCH+MICRO SWITCH                        |
| 30          | A/034/08    | COMMUT FORNO MULTIFUNZIONE                              | MULTIFUNCTION OVEN SWITCH                              |
| 31          | A/401/14    | MICROINT ACC RUB SABAF CUC                              | IGNITION SWITCH  |
| 32          | A/106/27    | LAMPADA SPIA D.10 FLUOR 230 UL                          | FLUORESCENT PILOT LIGHT                                |
| 33          | A/106/26    | LAMPADA SPIA D.10 FAST 230 UL                           | PILOT LIGHT  |
| 34          | A/492/37    | TERMOREG SIC NA 50°C UL                                 | SAFETY THERMOSTAT UL                                   |
| 35          | A/102/09    | INTERRUTTORE (PULS) MOTOV RADIAL UL                     | MOTOR FAN SWITCH                                       |
| 36          | A/080/11    | GEMMA SPIA D.10 ARANCIO INCASTRO                        | ORANGE WARNING LIGHT FOR SWITCH                        |
| 37          | A/080/12    | GEMMA SPIA D.10 VERDE INCASTRO                          | GREEN WARNING LIGHT FOR SWITCH                         |
| 38          | S/086/70/08 | CRUSCOTTO CUC UP76 (5T) INOX                            | CONTROL BOARD UP76 / ST ST                             |
| 39          | A/491/03    | TASTO PROGR EL145/EL2000 METAL T1/2T=10 G=14,5          | PROGRAMMER BUTTON / ST ST COLOUR                       |
| 40          | G/340/10/08 | MANOPOLA MAJ GAS CUCINA NERO-CRO                        | GAS KNOB FOR MAJ COOKER / CHROME                       |
| 41          | G/353/10/08 | MANOPOLA MAJ GAS CUC DUAL NERO-CRO                      | DUAL GAS KNOB FOR MAJ COOK/CHR                         |
| 42          | G/373/10/08 | MANOPOLA MAJ TERM EL FO VG UL CROMO                     | GAS THERM KNOB MAJ-T / CHR                             |
| 43          | G/315/10/08 | MANOPOLA MAJ COMM VGG EL.NICO IN-CR                     | VGG SELEC KNOB MAJ-T COOKER / CHR                      |

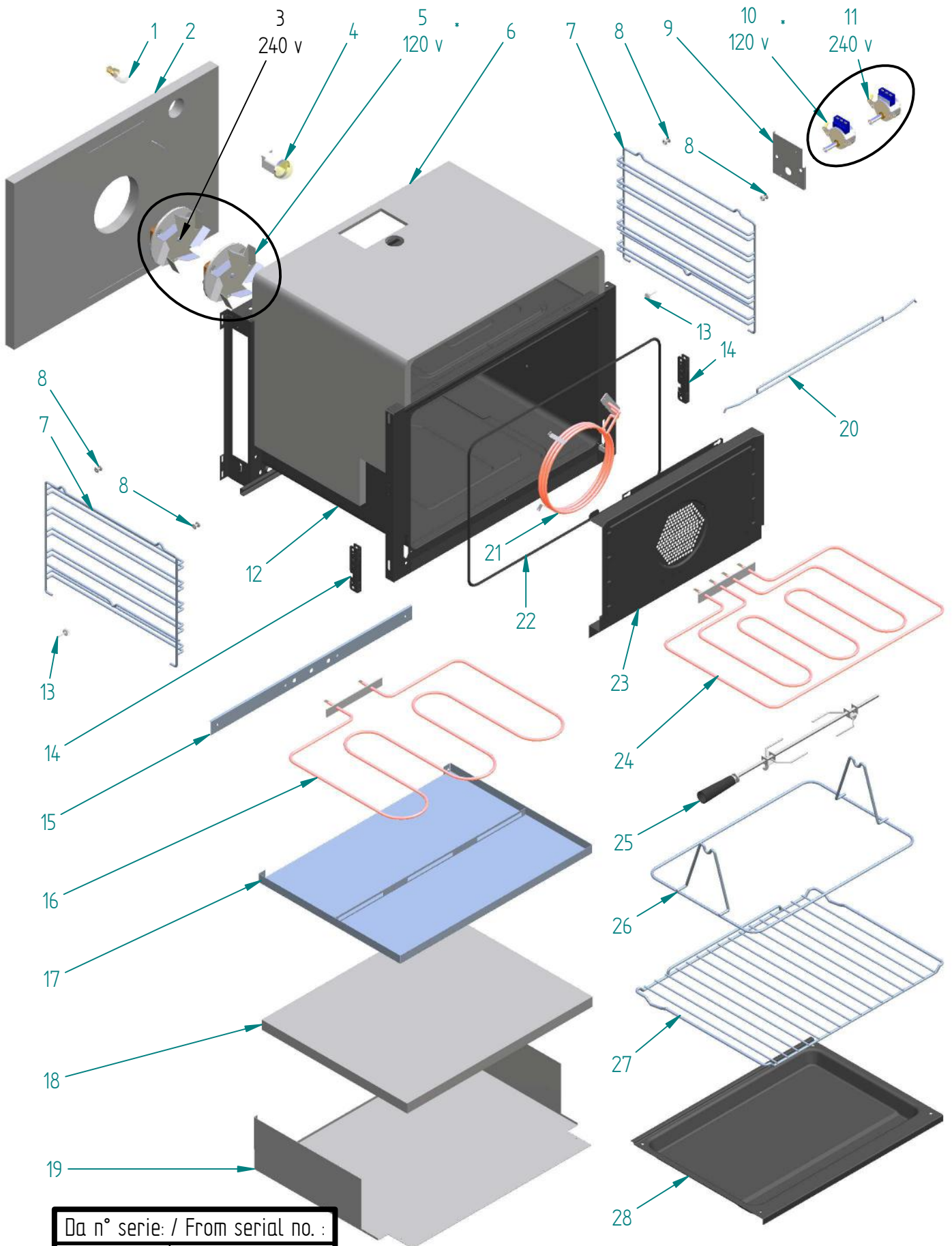
%Titolo





| <i>dis.</i> | <i>cod.</i> | <i>descrizione</i>                      | <i>description</i>                                 |
|-------------|-------------|---|--|
| 1           | A/498/12    | TUBO FLEX PROTEZIONE CAVI (3/4) UL      | CONDUIT  |
| 2           | A/452/06    | RACCORDO TUBO FLEX 90° 3/4" UL/CSA      | CONNECTOR  |
| 3           | A/404/05    | MORSETTIERA FV273/7 7 POLI+TERRA UL     | TERMINAL BOARD FV273/7                             |
| 4           | S/212/61    | PROLUNGA COPRISCHIENA P76               | UPPER BACK EXTENSION FOR 90CM. PROFESSIONAL COOKER |
| 5           | S/036/88    | COPRISCH CUC APP 76 G-E-M USA           | BACK COVER UPRIGHT P76                             |
| 6           | A/406/15    | MOTOV TANG L=120 120V CLASSE H UL       | COOLING FAN  |
| 7           | S/024/71    | CONV CUC P76 MUFF RIB                   | AIR CONVEYER FOR P76 COOKER                        |
| 8           | S/128/41/08 | LATERALE CUC PROFESS DX INOX            | SIDE PANEL DX / ST ST                              |
| 9           | S/210/64/08 | PROFILO CUC P120 DX INOX                | PROFILE FOR P120 DX / ST.ST.                       |
| 10          | S/212/07    | PROLUNGA LAT POST P120-P76              | SIDE BACK EXTENTION FOR P120                       |
| 11          | S/172/52    | PARACALORE CUC 70 E-M MUFF RIB          | HEAT SHIELD FOR 70CM COOK ELECTR                   |
| 12          | S/151/41    | LISTELLO FERMACUC P76 POST INF          | STRIP  |
| 13          | S/128/42/08 | LATERALE CUC PROFESS SX INOX            | SIDE PANEL SX / ST ST                              |
| 14          | A/422/13    | PIEDINO REGISTRABILE H 100-160          | ADJUSTABLE FOOT H 100-160                          |
| 15          | S/234/12    | STAFFA PER PIEDINI PD90/P120/P150 DX-SX | FEET STIRRUP FOR P90-P120-P150                     |
| 16          | S/210/65/08 | PROFILO CUC P120 SX INOX                | PROFILE FOR P120 SX / ST.ST.                       |
| 17          | S/149/72    | LISTELLO PORTAG CASS QUADRA SX          | LEFT STRIP   |
| 18          | A/096/11    | GUIDA INF/SUP SX CASS PC96 L=500        | DROWER GUIDE                                       |
| 19          | S/149/71    | LISTELLO PORTAG CASS QUADRA DX          | RIGHT STRIP  |
| 20          | A/096/10    | GUIDA INF/SUP DX CASS PC96 L=500        | DROWER GUIDE                                       |
| 21          | S/012/26/10 | CASSETTO CUC P76 MAT                    | P76 FOOD WARMER DRAWER                             |
| 22          | S/151/42    | LISTELLO FERMACUC P76 PL ANT INF        | STRIP  |
| 23          | S/022/41    | CONTROPORTA SCALDAV/CASS P76            | P76 INSIDE DRAWER FRONT                            |
| 24          | S/150/12/08 | MANIGLIONE PO SCA/CASS P76 INOX         | HANDLE FOR FOOD WARMER (P90)/ST.ST                 |
| 25          | S/196/21/08 | PORTA SCALDAV/CASS P76 INOX             | FOOD WARMER DOOR FOR P76 / ST.ST.                  |

%{Titolo}



|                                  |          |
|----------------------------------|----------|
| Da n° serie: / From serial no. : |          |
| 5 *                              | 09440585 |
| 10 *                             | 09440585 |

| <i>dis.</i> | <i>cod.</i> | <i>descrizione</i>                           | <i>description</i>                  |
|-------------|-------------|--|-------------------------------------|
| 1           | A/106/00    | LAMPADA FORNO 110V                           | OVEN LIGHT 110V                     |
| 2           | A/108/23    | LANA DI VETRO SCHIENA FORNO 70 MULTAGU 80/20 | FIBERGLASS OVEN BACK 70 MULT        |
| 3           | G/406/00    | MOTOVENTILATORE COMPL 240V 60HZ UL           | COMPLETE FAN 230V                   |
| 4           | A/436/02    | PORTAL+LAMPADA 110V                          | OVEN LAMP HOLDER                    |
| 5           | G/406/23    | MOTOVENTILATORE COMPL 120V 60HZ UL           | COMPLETE FAN 120V                   |
| 6           | A/108/25    | LANA DI VETRO MANTELLO 700                   | FIBERGLASS MANTLE 700               |
| 7           | A/092/43    | GRIGLIA LAT FORNO MUFF CHIUSA 5 COR          | OVEN SIDE GRILL                     |
| 8           | A/482/12    | SUPPORTO GRIGLIA LAT. (FORNO)                | GRILL SIDE SUPPORT (OVEN)           |
| 9           | S/236/98    | SUPPORTO MOTORIDUTTORE                       | SPIT GERED MOTOR HOLDER SUPPORT     |
| 10          | A/406/03/02 | MOTORID GIRARR (UL) 120V 60HZ                | SPIT GEARED MOTOR 110V              |
| 11          | A/406/03/01 | MOTORID GIRARR (CE/UL) 230 50/60             | SPIT GEARED MOTOR                   |
| 12          | S/162/35/14 | MUFFOLA 70 MULTIF CH NERO                    | 70 CM OVEN MUFFLE                   |
| 13          | A/602/03    | VITE ZIGR FERMAGR LAT MUFF CHIUSA            | KNURLED SCREW SIDE GRILLS STOPPING  |
| 14          | A/468/04    | RULLINO+PORTARULL CERN TN (FARING)           | RULLER                              |
| 15          | S/118/27    | FERMARES INF FO 70/80/90 MUFF CH             | HEAT ELEMENT STOP                   |
| 16          | A/458/72    | RESIST 1500W 230V SUOLA 900 NIP VDE UL       | BOTTOM RESISTANCE W1500 V230        |
| 17          | S/206/32    | PORTARES INF FO 70 MUFF CH                   | RESISTANCE HOLDER                   |
| 18          | A/108/21    | LANA DI VETRO FONDO 700 AGU 80/20            | FIBERGLASS BOTTOM 700               |
| 19          | S/228/09    | SOTTOFONDO FORNO 70 MUFF CH                  | ELECTRIC OVEN BOTTOM                |
| 20          | A/438/01    | SUPPORTO RESIST SUP 700                      | RESISTANCE SUPPORT 700              |
| 21          | A/458/34    | RESIST 2400W 230V CIRCOLARE NIP VDE UL       | CIRCULAR RESISTANCE W2400 V230      |
| 22          | A/094/78    | GUARN MUFF MATR 09154/A 700 CHIUSA           | 700 OVEN GASKET                     |
| 23          | S/038/08    | COPRIVENTOLA 700 SMALTATO                    | FAN COVER 700 ENAMELLED             |
| 24          | A/458/38    | RESIST 3100W 230V CIE+GRILL 900 NIP VDE UL   | TOP/GRILL RESISTANCE W900/2200 V230 |
| 25          | A/480/01    | SPIEDO FORNO 700 TRASV L=478MM               | TRANSVERSE SPIT 700                 |
| 26          | A/482/39    | SUPP GIRAR FORNO/CUCINA 70                   | SPIT SUPPORT 70                     |
| 27          | A/095/14    | GRIGLIA FORNO 70                             | OVEN GRILL 70                       |
| 28          | S/146/20    | LECCARDA 70 NERO                             | ENAMELLED DRIPPING PAN 70           |

%{Titolo}