

**ILVE S.p.a.**

UPD\_100FMP

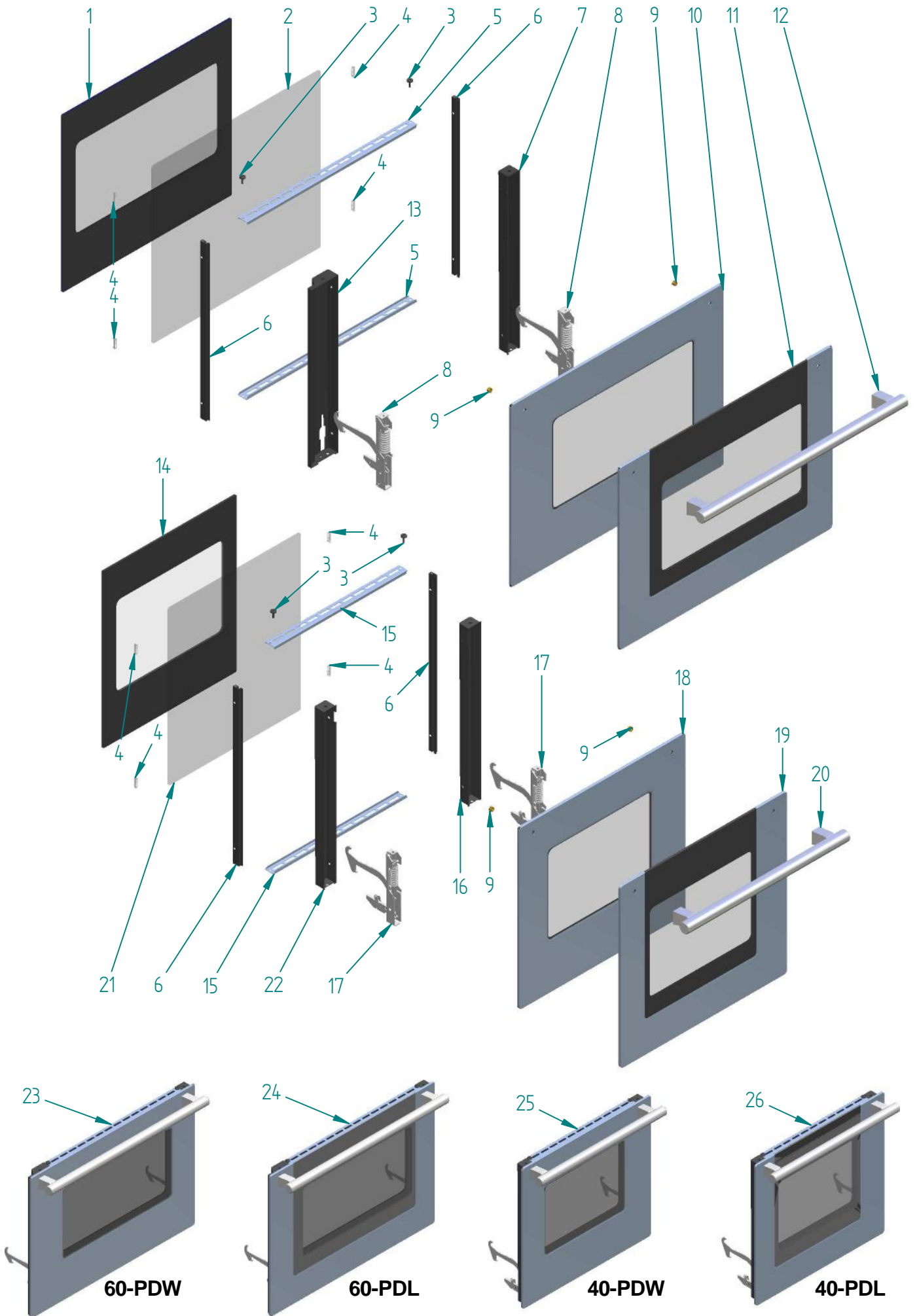
UPDL100FMP UPDW100FMP

10/02/2010



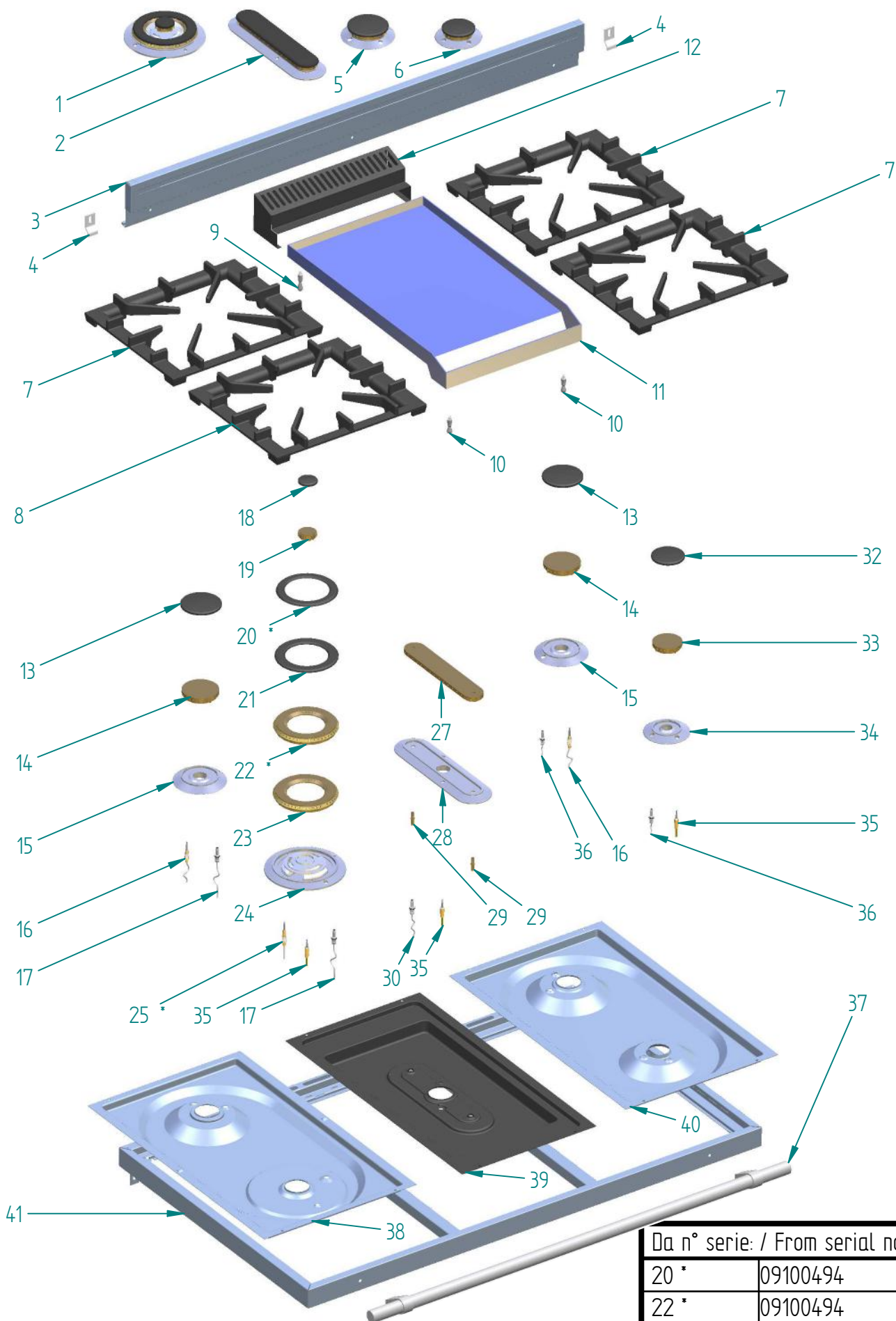
UPDL100FMP UPDW100FMP

10/02/2010



<i>dis.</i>	<i>cod.</i>	<i>descrizione</i>	<i>description</i>
1	A/504/84/85	VETRO INTERNO PORTA 600 TR VETRO	INNER 60CM DOOR GLASS
2	A/504/84/95	VETRO INTERM DBE PORTA 600 TR VETRO	MIDDLE 60CM DOOR GLASS
3	A/602/02	VITE ZIGR FERMAV/FERMAGR LAT FORNO	KNURLED SCREW FOR HOLDING GLASS /SIDE GRILLS FO.
4	A/402/13	MOLLA (CLIP FISSAGGIO) VETRO INTERMEDIO	SPRING
5	S/120/10/08	FERMAVETRO PO 60 TR VET INOX USA	GLASS STOP
6	A/445/23	PROFILO GUIDA TRIPLO VETRO PORTA	PROFILE
7	S/022/30/14	CONTROPORTA FO 30/40 LAT DX NERO	RIGHT INSIDE DOOR FOR 30/40 OVEN
8	A/028/41	CERNIERA POR FO 90 2V+60 3V (FARINGOSI)	2 GL 90CM/3 GL 60CM OVEN DOOR HINGE
9	A/065/00	DISTANZIALE OT DIS 347 MANIGLIA PORTA	BRASS SPACER FOR HANDLE
10	G/505/15/08	VETRO+PO D900/PD90 3V 60 OBLO' INOX	60 CM OVEN DOOR FOR QD100W ST ST
11	G/505/21/08	VETRO PO D900L/PD90L 3V 60 INOX	DOOR GLASS D900L/PD90L / ST ST
12	A/116/28/08	MANIGLIONE D.25 I=480 L=530 INOX	ST.ST. HANDLE
13	S/022/29/14	CONTROPORTA FO 600/800 LAT SX NERO	LEFT INSIDE DOOR FOR 60/80 OVEN
14	A/504/84/87	VETRO INTERNO PORTA 40 TR VETRO	INNER DOOR GLASS
15	S/120/11/08	FERMAVETRO PO 40 TR VET INOX USA	GLASS STOP
16	S/022/30/14	CONTROPORTA FO 30/40 LAT DX NERO	RIGHT INSIDE DOOR FOR 30/40 OVEN
17	A/028/47	CERNIERA POR FO 40/30N/W/MAJ 3V	40 CM OVEN DOOR HINGE
18	G/505/16/08	VETRO+PO PD100 3V 40 OBLO' INOX	40CM QD100W OVEN DOOR GLASS / ST ST
19	G/505/22/08	VETRO PO PD100L 3V 40 INOX	40CM PD100L OVEN DOOR GLASS/ST ST
20	A/116/29/08	MANIGLIONE D.25 I=360 L=410 INOX	HANDLE D.25 L.410 ST ST
21	A/504/84/86	VETRO INTERM PORTA 40 TR VETRO	MIDDLE DOOR GLASS
22	S/022/31/14	CONTROPORTA FO 30/40 LAT SX NERO	LEFT INSIDE DOOR FOR 30/40 OVEN
23	UG/719/08	PORTA COMPL 3V 60 PDW90 USA INOX	TRIPLE GLASS 60 CM DOOR / ST ST
24	UG/773/08	PORTA COMPL 3V 60 PDL90 USA INOX	TRIPLE GL PDL90 UL 60CM DOOR/ST ST
25	UG/720/08	PORTA COMPL 3V 40 PDW100 USA INOX	TRIPLE GLASS 40 CM DOOR QD100W /ST ST
26	UG/770/08	PORTA COMPL 3V 40 PDL100 USA INOX	TRIPLE GLASS 40 CM DOOR PDL100 /ST ST

%{Titolo

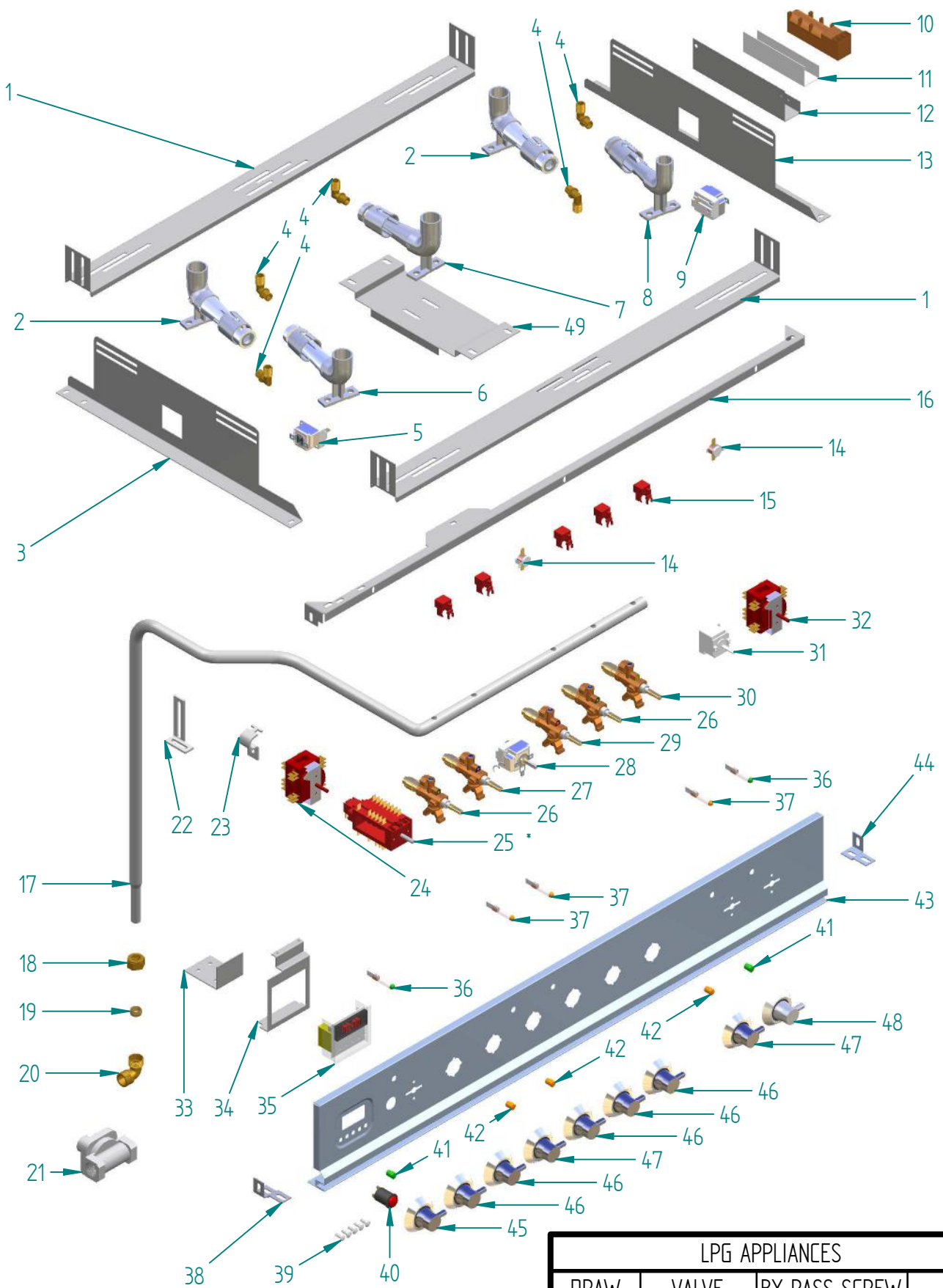


Da n° serie: / From serial no. :	
20 *	09100494
22 *	09100494
25 *	09100494

<i>dis.</i>	<i>cod.</i>	<i>descrizione</i>	<i>description</i>
1	KBR001	KIT BRUC TRIPLA CORONA 2 FORI	COMPLETE TR RING BURNER (2 HOLES)
2	KBR002	KIT BRUC PESCIERA 2 FORI	COMPLETE FISH BURNER (2 HOLES)
3	S/002/30	ALZATINA CUCINA USA PD100-MD100 INO	SPLASH BACK
4	S/232/45	SQUADRETTA FERMA CUCINA	BRACKET
5	KBR003	KIT BRUC RAP PIANO/CUC PROF 2 FORI	COMPLETE RAPID BURNER (2 HOLES)
6	KBR004	KIT BRUC SEM RAP PIA/CUC PRO 2 FORI	COMPLETE SMALL RAPID BURN (2 HOLES)
7	A/092/73/10	GRIGLIA MAJ FORO MM80 (330X280) VET	MAJESTIC GRILL 80MM HOLE
8	A/092/72/10	GRIGLIA MAJ FORO MM120 (330X280)VET	MAJESTIC GRILL 120MM HOLE
9	A/414/06	PERNO LUNGO INN PIA(INC/COMB)+FRY T	LONG COOKTOP PIN
10	A/414/04	PERNO CORTO INN PIA (APP)+FRY TOP	SHORT COOKTOP PIN
11	A/419/01	PIASTRA FRY TOP PROFESSIONAL	FRY TOP PLATE
12	S/008/33/14	CAMINETTO FRY TOP PROFESS SMALT	FRY TOP CHIMNEY
13	A/048/02/10	COPRISPART GRANDE (S2) RAF MAT 3F	LARGE FLAME DIFFUSER COVER
14	A/478/12/90	SPARTIFIAMMA GRANDE	NEW LARGE FLAME DIFFUSER
15	A/488/11/91	TAZZINA P C GRANDE (2 FORI)	HOB COOKER LARGE CUP+IGN+S.V. HOLES
16	A/490/17	TERMOCOPPIA FLEX 70CM M8X1	THERMOCOUPLE 70
17	A/018/06	CANDELA ACC.(CAVO=MM800 H=MM28)	IGNITION PLUG MM 800
18	A/048/07/10	COPRISPART TC AUX RAF MAT 3F	TRIPLE RING BURNER SMALL COVER
19	A/478/17	SPARTIFIAMMA TC AUSILIARIO +INDEX	TR RING SMALL FLAME DIVIDER (INDEX)
20	A/048/09/10	COPRISPART TC GR 1V/DUAL RAF MAT 3F	TRIPLE RING FLAME DIVIDER COVER
21	A/048/00/10	COPRISPART TC GHISA GRANDE VETR	TRIPLE RING FLAME DIVIDER COVER
22	A/478/19	SPARTIFIAMMA TC GRANDE 1 V/DUAL	DUAL TRIPLE RING BIG FLAME DIVIDER
23	A/478/07	SPARTIFIAMMA TC GRANDE	NEW TRIPLE RING BIG FLAME DIVIDER
24	A/488/23	TAZZINA TC (2 FORI)	TRIPLER RING CUP+IGN+S.V. HOLES
25	A/490/19	TERMOCOPPIA TC 45CM M8X1 BIFIL	THERMOCOUPLE 45
27	A/478/08	SPARTIFIAMMA PESCIERA	FISH BURNER BRASS FLAME DIFFUSER
28	A/488/13	TAZZINA PESCIERA (2 FORI)	FISH BURNER CUP+IGN+S.V. HOLES
29	A/602/42	VITE PESCIERA 8X26XM6 OTTONE	RETAINING SCREW FOR FISH BURNER
30	A/018/04	CANDELA ACC.(CAVO=MM600 H=MM28)	IGNITION PLUG MM 600
32	A/048/06/10	COPRISPART PICCOLO (S1) RAF MAT 3F	SMALL FLAME DIFFUSER COVER
33	A/478/12/92	SPARTIFIAMMA PICCOLO	NEW SMALL FLAME DIFFUSER
34	A/488/11/93	TAZZINA P C PICCOLA (2 FORI)	HOB COOKER SMALL CUP+IGN+S.V. HOLES
35	A/490/03	TERMOCOPPIA FLEX 45CM M8X1	THERMOCOUPLE 45
36	A/018/02	CANDELA ACC.(CAVO=MM400 H=MM28)	IGNITION PLUG MM 400
37	A/049/16/08	CORRIMANO TECH-UL D25 I770 L920 INO	HAND RAIL
38	S/216/07/08	RACCOGLIG P-PD90P-P965 1F+TC IN OX	DRIP CATCHER P-PD90P-P965 1 RING + D. RING
39	S/216/16/14	RACCOGLIG FRY TOP SMALT NERO	DRIP CATCHER FOR PROFESS FRY TOP
40	S/216/06/08	RACCOGLIG P-PD90P-P965 2F INOX	DRIP CATCHER FOR P-PD90P-P9652 RINGS
41	S/238/89/08	TELAIO PIANO CUC PD100F INOX USA	FRAME

%Titolo

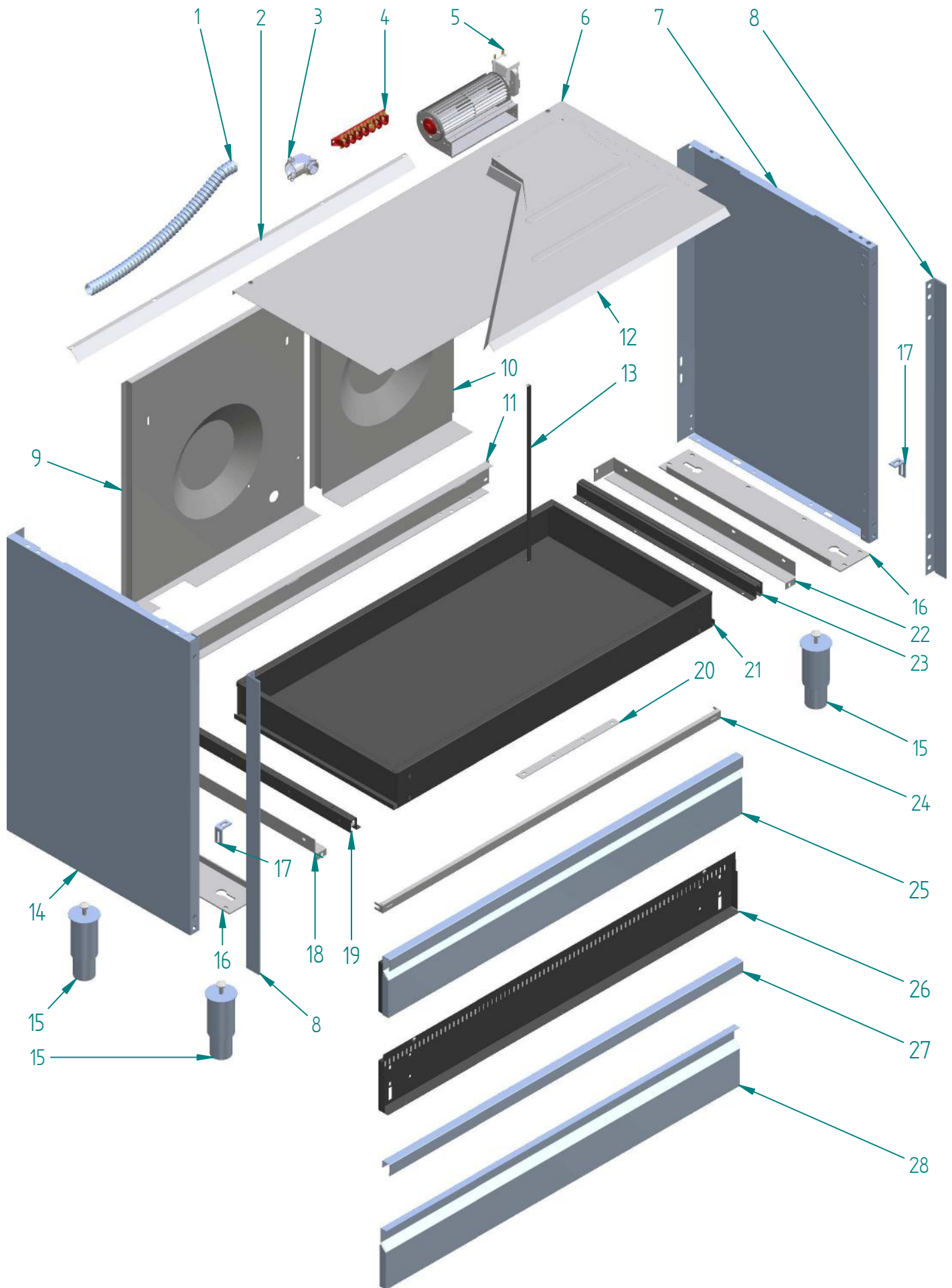




Da n° serie: / From serial no. :  
 25 \*      09440585

LPG APPLIANCES			
DRAW	VALVE	BY PASS SCREW	
26	A/466/43	A/600/78	R-SR
29	A/466/44	A/600/79	P
27	A/466/45	A/600/80	TC
30	A/466/57	A/600/77	SR

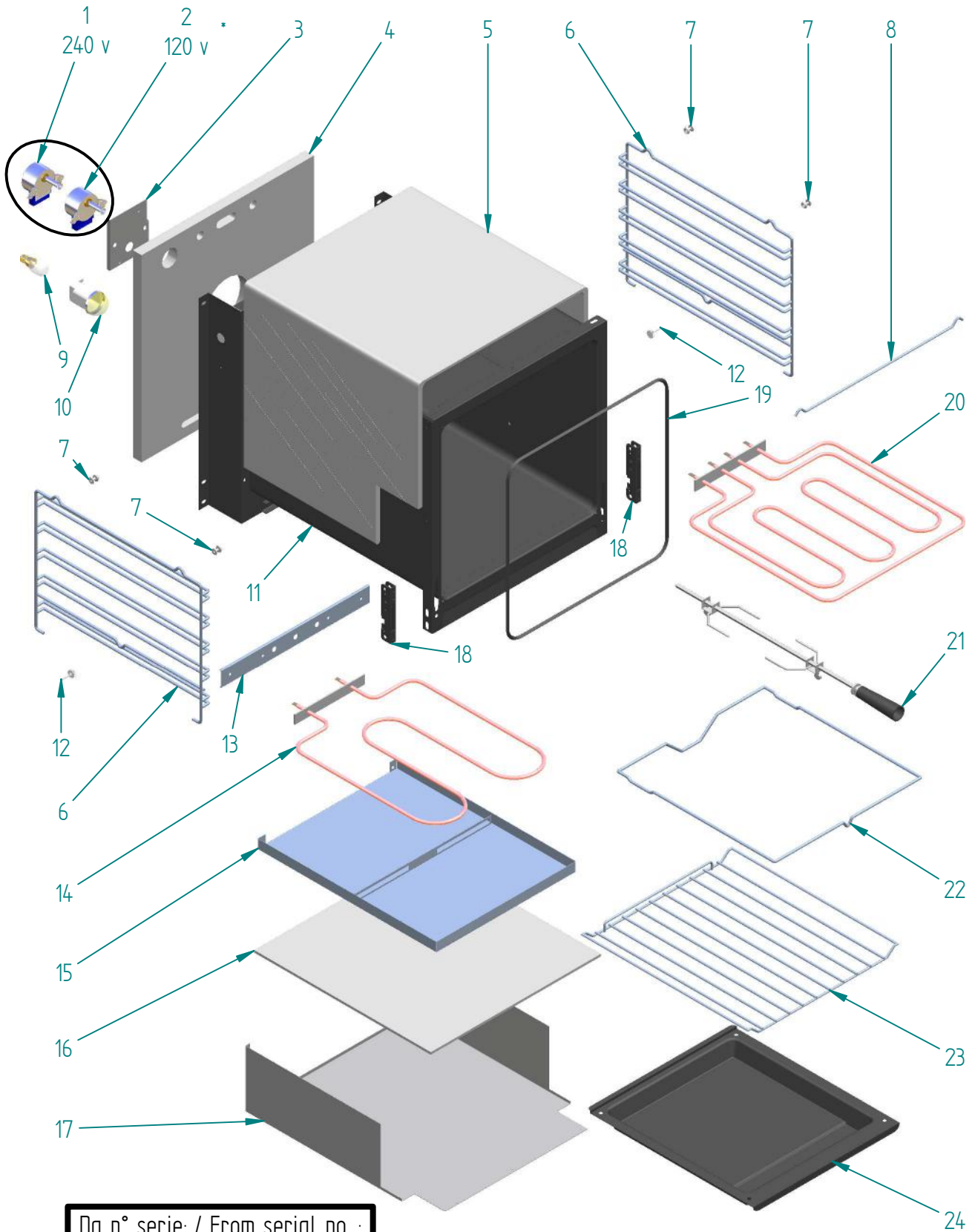
<i>dis.</i>	<i>cod.</i>	<i>descrizione</i>	<i>description</i>
1	S/149/08	LISTELLO PORTABR PD90-PD100-MD100	BURNERS HOLDER PD90
2	A/014/12/90	BRUCIATORE PIPA GRANDE (H=94)	BIG BURNER (H=94)
3	S/128/90	LATERALE PORTABR CUC PROFESS SX	LEFT SIDE BURNER HOLDER
4	A/434/04	PORTAINIETT A GOMITO GRILL/FUOCHI	INJECTOR HOLDER GRILL/COOKTOP
5	A/492/35	TERMOSTATO SIC FO EL MULT UL RIARMO AUTOMATICO TAR	SAFETY THERMOSTAT
6	A/014/12/92	BRUCIATORE PIPA GRANDE (H=80) TC PROFESSIONAL	BIG BURNER (H=80MM)
7	A/014/12/93	BRUCIATORE PIPA GRANDE (H=86) PESCIERA PROFESSIONAL	BIG BURNER (H=86MM)
8	A/014/12/91	BRUCIATORE PIPA PICCOLO (H=94)	SMALL BURNER (H=94)
9	A/492/34	TERMOSTATO SIC FO EL STAT UL RIARMO AUTOMATICO TAR	SAFETY THERMOSTAT
10	A/494/27	TRASFORMATORE ACC EL 6 FUOCHI UL	6 WAYS IGN TRANSFORMER
11	A/024/12	CARTONCINO ISOL NOMEX TRASF 6FUOCHI	NOMEX INSULATING CARD FOR IGNITION TRANSFORMER 6 BURNE
12	S/236/77	SUPPORTO TRASF ACC CUC PROFESSIONAL	EL. IGN. TRANSFORMER HOLDER FOR PROFESSIONAL COOKER
13	S/128/91	LATERALE PORTABR CUC PROFESS DX	RIGHT SIDE BURNER HOLDER
14	A/492/37	TERMOREG SIC NA 50°C UL	SAFETY THERMOSTAT UL
15	A/401/14	MICROINT ACC RUB SABAF CUC	IGNITION SWITCH
16	L/148/13	LISTELLO FERMACRU CUC PD100/PDE100 (COMP INF)	
17	A/454/43	RAMPA CUC 5 FORI (P90/PD90) PRESA PRESSIONE	RAMP
18	A/062/20	DADO 1/2 D.14 RACCORDO PORTAGOMMA A/415/11 935002022	NUT HOSETAIL S.436/4
19	A/004/04	BICONO 14MM RACCORDO PORTAGOMMA S135 944000016	HOSE NUT
20	A/452/04	RACC CURVO PORTAG (SIRAL) 1/2" PO-04 D.14 OT 9360000070	HOSETAIL COUPLING (SIRAL)
21	A/437/00	STABILIZZATORE PRESSIONE CSA	PRESSURE GAS REGULATOR
22	S/232/63	SQUADRETTA FERMAR CU/FO 30/10 ZN CHMUFF CH	SMALL STOP RAMP CLAMP FOR OVENS AND COOKERS
23	S/004/02	BRIGLIA RAMPA FORNO ELZN	OVEN RAMP CLAMP
24	A/034/08	COMMUT FORNO MULTIFUNZIONE	MULTIFUNCTION OVEN SWITCH
25	A/034/11	COMMUT FORNO MULTIF+MICRO LUCI PUSHPASSO PASSO	MULTIF OVEN SWITCH+MICRO SWITCH
26	A/466/43	RUB ALLOG MICRO CUC VALV (40)R-SR	VALVE + S.V.
27	A/466/45	RUB ALLOG MICRO CUC VALV (64)TC	VALVE + S.V.
28	A/492/06	TERMOSTATO FORNO MULTIFUNZIONE	MULTIFUNCTION OVEN THERMOSTAT
29	A/466/44	RUB ALLOG MICRO CUC VALV (52)P	VALVE + S.V.
30	A/466/57	RUB ALLOG MICRO CUC VALV (32) SR	VALVE + S.V.
31	A/492/04	TERMOSTATO FORNO ELETTRICO	ELECTRIC OVEN THERMOSTAT
32	A/034/04	COMMUT FORNO ELETTRICO	ELECTRIC OVEN SWITCH
33	S/232/33	SQUADRETTA BLOCC PR/CON CUC MUF RIB	BRACKET
34	S/236/63	SUPPORTO PROGR EL145 (5 TASTI) CUC	PROGRAMMER HOLDER (EL145) FOR COOKER
35	A/446/42	PROGR EL145 5T BIPO UL 50/60HZ 230V	ELETTRONIC PROGRAMMER EL145
36	A/106/27	LAMPADA SPIA D.10 FLUOR 230 UL	FLUORESCENT PILOT LIGHT
37	A/106/26	LAMPADA SPIA D.10 FAST 230 UL	PILOT LIGHT
38	S/232/62	SQUADRETTA F CRU SX CUC 60/80/PD CH	CLAMP
39	A/491/03	TASTO PROGR EL145/EL2000 METAL T1/2T=10 G=14,5	PROGRAMMER BUTTON / ST ST COLOUR
40	A/102/09	INTERRUTTORE (PULS) MOTOV RADIAL UL	MOTOR FAN SWITCH
41	A/080/12	GEMMA SPIA D.10 VERDE INCASTRO	GREEN WARNING LIGHT FOR SWITCH
42	A/080/11	GEMMA SPIA D.10 ARANCIO INCASTRO	ORANGE WARNING LIGHT FOR SWITCH
43	S/086/76/08	CRUSCOTTO CUC UPD100B-F-V (5T) INOX	CONTROL BOARD UPD100BVF / ST ST
44	S/232/61	SQUADRETTA F CRU DX CUC 60/80/PD CH	CLAMP
45	G/303/11/08	MANOPOLA MAJ-T COMM "M" INOX	MULT OVEN SWITCH MAJ-T KNOB ST ST
46	G/340/11/08	MANOPOLA MAJ-T GAS CUC INOX	GAS KNOB FOR MAJ-T COOKER / ST ST
47	G/367/11/08	MANOPOLA MAJ-T TERM "E/M" °F NERO	ELECTRIC °F THERM KNOB MAJ-T/ ST ST
48	G/301/11/08	MANOPOLA MAJ-T COMM "E" INOX	ELECT OVEN SWITCH MAJ-T KNOB ST ST
49	S/149/42	LISTELLO PORTABR FRY TOP	STRIP





<i>dis.</i>	<i>cod.</i>	<i>descrizione</i>	<i>description</i>
1	A/498/12	TUBO FLEX PROTEZIONE CAVI (3/4) UL	CONDUIT
2	S/212/22	PROLUNGA COPRISCHIENA PD100-10650	UPPER BACK EXTENSION FOR 100CM COOK
3	A/452/06	RACCORDO TUBO FLEX 90° 3/4" UL/CSA	CONNECTOR
4	A/404/05	MORSETTIERA FV273/7 7 POLI+TERRA UL	TERMINAL BOARD FV273/7
5	A/406/07	MOTOV TANG L=180 120V CLASSE H UL	COOLING FAN
6	S/172/06	PARACALORE CUC PD-QD100M MUFF RIB	HEAT SHIELD FOR PD100 ELECTRIC
7	S/128/41/08	LATERALE CUC PROFESS DX INOX	SIDE PANEL DX / ST ST
8	S/210/56/08	PROFILO CUC P60-PD90 DX-SX INOX	PROFILE DX-SX FOR P60-PD90 / ST.ST.
9	S/036/07	COPRISCH CUC USA APP 60 G-E-M	BACK COVER UL
10	S/036/05	COPRISCH CUC USA 40CM PD100	BACK COVER FOR PD1006-B-V-F UL
11	S/149/43	LISTELLO FERMACUC PD100 POST INF	STRIP
12	S/024/34	CONV CUC QD-TD100 MUFF RIB	AIR CONVEYER FOR QD100
13	A/094/13	GUARNIZIONE COPRI FUGA DOPPIO FORNO	GASKET
14	S/128/42/08	LATERALE CUC PROFESS SX INOX	SIDE PANEL SX / ST ST
15	A/422/13	PIEDINO REGISTRABILE H 100-160	ADJUSTABLE FOOT H 100-160
16	S/234/12	STAFFA PER PIEDINI PD90/P120/P150 DX-SX	FEET STIRRUP FOR P90-P120-P150
17	S/232/49	SQUADRETTA FERMA-LAT CUC 60/80/PD90	CLAMP
18	S/149/72	LISTELLO PORTAG CASS QUADRA SX	LEFT STRIP
19	A/096/11	GUIDA INF/SUP SX CASS PC96 L=500	DRAWER GUIDE
20	S/148/97	LISTELLO ANCOR INF MUFFOLE PD90	ANCHORING STRIP
21	S/012/16/10	CASSETTO CUC PD-QD100 MAT	QD100 FOOD WARMER DRAWER
22	S/149/71	LISTELLO PORTAG CASS QUADRA DX	RIGHT STRIP
23	A/096/10	GUIDA INF/SUP DX CASS PC96 L=500	DRAWER GUIDE
24	S/149/70	LISTELLO FERMACUC QD100 ANT/INF	STRIP
25	G/083/08	FRONTALE COMPL CASS PD100 PLUS INOX	PD100 PLUS DRAWER FRONT / ST ST
26	S/022/25	CONTROPORTA SCALDAV/CASS PD100 MAT	FOOD WARMER INSIDE DOOR FOR P100
27	S/150/09/08	MANIGLIONE PO SCA/CASS PD100 INOX	WARMER FOOD HANDLE FOR PD100/ST.ST.
28	S/196/16/08	PORTA SCALDAV/CASS TD100 INOX	WARMER FOOD DOOR FOR TD100 / ST.ST.

%{Titolo



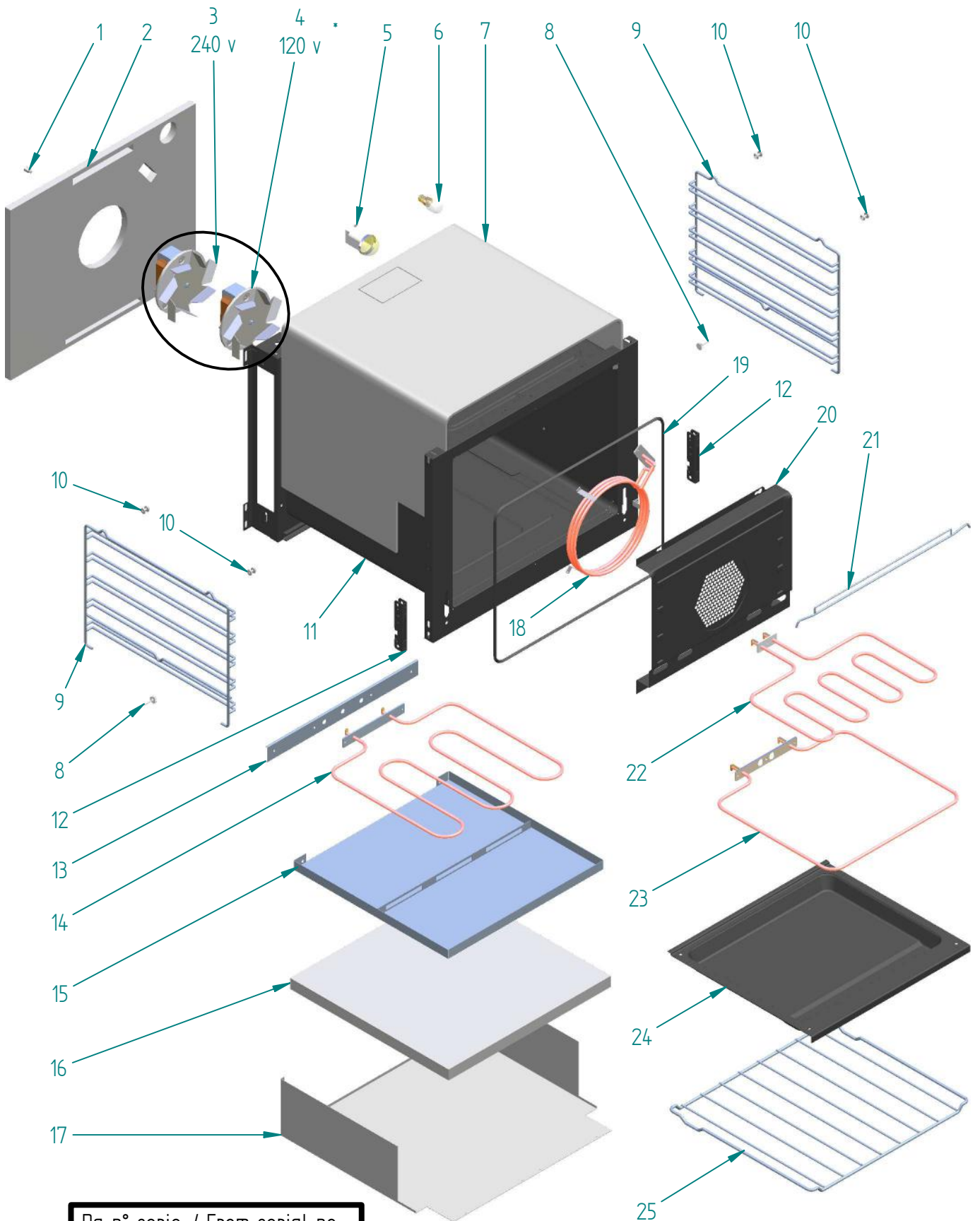
Da n° serie: / From serial no. :	
2 *	09440585

<i>dis.</i>	<i>cod.</i>	<i>descrizione</i>	<i>description</i>
1	A/406/03/01	MOTORID GIRARR (CE/UL) 230 50/60	SPIT GEARED MOTOR
2	A/406/03/02	MOTORID GIRARR (UL) 120V 60HZ	SPIT GEARED MOTOR 110V
3	S/236/98	SUPPORTO MOTORIDUTTORE	SPIT GERED MOTOR HOLDER SUPPORT
4	A/108/58	LANA DI VETRO SCHIENA FORNO 40 AGU 80/20	FIBERGLASS OVEN BACK
5	A/108/59	LANA DI VETRO MANTELLO FORNO 40 1 ALL+AGU 60/17	FIBERGLASS OVEN MANTLE
6	A/092/43	GRIGLIA LAT FORNO MUFF CHIUSA 5 COR	OVEN SIDE GRILL
7	A/482/12	SUPPORTO GRIGLIA LAT. (FORNO)	GRILL SIDE SUPPORT (OVEN)
8	A/438/05	SUPPORTO RESIST SUP FO 40CM	RESISTANCE HOLDER
9	A/106/00	LAMPADA FORNO 110V	OVEN LIGHT 110V
10	A/436/02	PORTAL+LAMPADA 110V	OVEN LAMP HOLDER
11	S/162/08/14	MUFFOLA 40 ELETTR STAT CH NERO	40CM MUFFLE
12	A/602/03	VITE ZIGR FERMAGR LAT MUFF CHIUSA	KNURLED SCREW SIDE GRILLS STOPPING
13	S/118/29	FERMARES INF FO 40 MUFF CH	HEAT ELEMENT STOP
14	A/458/88	RESIST 950W 230V SUOLA FO 40CM + NIP VDE UL	RESISTANCE 950W
15	S/206/31	PORTARES INF FO 40 MUFF CH	BOTT RESIST HOLDER 40CM OVEN PD100
16	A/108/57	LANA DI VETRO FONDO FORNO 40 590040AGU 80/20	FIBERGLASS OVEN BOTTOM
17	S/228/05	SOTTOFONDO FORNO 40 MUFF CH	ELECTRIC OVEN BOTTOM
18	A/468/04	RULLINO+PORTARULL CERN TN (FARING)	RULLER
19	A/094/71	GUARN MUFF MATR 09154/A 40 CHIUSA	400 OVEN GASKET
20	A/458/89	RESIST 2450W 230V CIE+GRILL FO 40CM + NIP VDE UL	RESISTENZA 2450W
21	A/480/00	SPIEDO FORNO 30/40/EX 60 L=415mm	OVEN SPIT 600
22	A/482/29	SUPP GIRAR FORNO 40 (5 CORSIE)	SPIT SUPPORT
23	A/092/35	GRIGLIA FORNO 40	40 CM OVEN GRILL
24	S/146/19	LECCARDA 40 PD100 NERO	DRIPPING PAN 40CM OVEN PD100

%Titolo

UPDL100FMP UPDW100FMP

10/02/2010



Da n° serie: / From serial no. :	
4 *	09440585

<i>dis.</i>	<i>cod.</i>	<i>descrizione</i>	<i>description</i>
1	A/602/05	VITE FISS MOTORE RADIALE	SCREEW
2	A/108/20	LANA DI VETRO SCHIENA FORNO 60 MULTAGU 80/20	FIBERGLASS OVEN BACK 60 MULTIFUNCTION
3	G/406/00	MOTOVENTILATORE COMPL 240V 60HZ UL	COMPLETE FAN 230V
4	G/406/23	MOTOVENTILATORE COMPL 120V 60HZ UL	COMPLETE FAN 120V
5	A/436/02	PORTAL+LAMPADA 110V	OVEN LAMP HOLDER
6	A/106/00	LAMPADA FORNO 110V	OVEN LIGHT 110V
7	A/108/08	LANA DI VETRO MANTELLO 600 1 ALL+AGU 60/17	FIBERGLASS MANTLE 600
8	A/602/03	VITE ZIGR FERMAGR LAT MUFF CHIUSA	KNURLED SCREW SIDE GRILLS STOPPING
9	A/092/43	GRIGLIA LAT FORNO MUFF CHIUSA 5 COR	OVEN SIDE GRILL
10	A/482/12	SUPPORTO GRIGLIA LAT. (FORNO)	GRILL SIDE SUPPORT (OVEN)
11	S/162/07/14	MUFFOLA 60 MULTIF CH NERO	60 CM OVEN MUFFLE
12	A/468/04	RULLINO+PORTARULL CERN TN (FARING)	RULLER
13	S/118/28	FERMARES INF FO 60 MUFF CH	HEAT ELEMENT STOP
14	A/458/02	RESIST 1300W 230V SUOLA 600 NIP VDE UL	BOTTOM RESISTANCE W1300 V230
15	S/206/01	PORTARES INF FO 60 MUFF CH	RESISTANCE HOLDER
16	A/108/02	LANA DI VETRO FONDO 600 AGU 80/20	FIBERGLASS BOTTOM 600
17	S/228/04	SOTTOFONDO FORNO 60 MUFF CH	ELECTRIC OVEN BOTTOM
18	A/458/34	RESIST 2400W 230V CIRCOLARE NIP VDE UL	CIRCULAR RESISTANCE W2400 V230
19	A/094/69	GUARN MUFF MATR 09154/A 600 CHIUSA	GASKET FOR 600 OVEN
20	S/038/00	COPRIMENTOLA 600 SMALTATO	FAN COVER 600 ENAMELLED
21	A/438/00	SUPPORTO RESIST SUP 600	RESISTANCE SUPPORT 600
22	A/458/46	RESIST 1600W 230V GRILL 600 NIP VDE UL	GRILL RESISTANCE W1600 V230
23	A/458/18	RESIST 900W 230V CIELO 600 NIP VDE UL	TOP RESISTANCE W900 V230
24	S/146/00	LECCARDA 60 NERO	ENAMELLED DRIPPING PAN 60
25	A/092/36	GRIGLIA FORNO 60	60 CM OVEN GRILL

%{Titolo